

# Check Valves

## PRODUCT DESCRIPTION

CPI check valves are designed for high pressure applications where reverse flow and leakage must be kept to a minimum. Typical applications include engine, pump and compressor cylinder / packing lubrication and hydraulic systems. A relatively stiff spring in these check valves serves to increase the reliability of the circuit.

## FEATURES & BENEFITS

- Simple installation
- One piece design

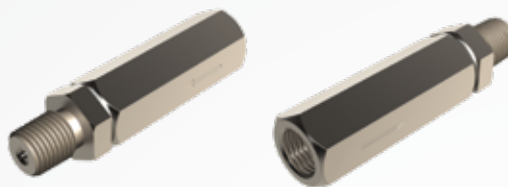
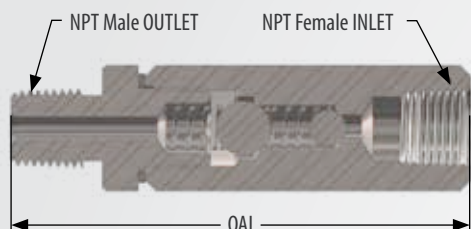
## TECHNICAL SPECIFICATIONS

BODY	Carbon Steel / Stainless Steel
BALL	Type 440 F Stainless Steel
SPRINGS	Stainless Steel
MAXIMUM OPERATING TEMPERATURE	400°F (204.5°C)
CRACKING PRESSURE	80-100 PSI (5.5-6.9 BAR)
MAXIMUM OPERATING PRESSURE	Up to 8,000 PSI (552 BAR)
LUBRICANT	Oil or Grease (Petroleum or Synthetic)

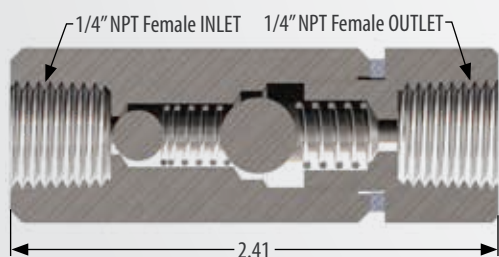


# CPI Check Valve Overview

## INLINE DOUBLE BALL

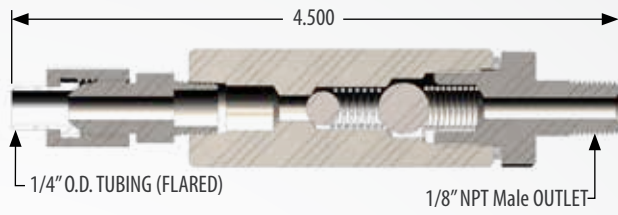


PART NO.	MAX PSI	INLET	OUTLET	MATERIAL	OAL	GASKET
65002000090023	8000	1/8" NPT Female	1/8" NPT Male	Steel	3.19"	Aluminum
65002000090024	8000	1/4" NPT Female	1/4" NPT Male	Steel	3.19"	Aluminum
65002000090254	8000	1/8" NPT Female	1/4" NPT Male	Steel	3.19"	Aluminum
65002000090255	8000	1/4" NPT Female	1/8" NPT Male	Steel	3.19"	Aluminum
65002000090025	8000	1/8" NPT Female	1/8" NPT Male	300 Stainless	3.19"	Stainless
65002000090026	8000	1/4" NPT Female	1/4" NPT Male	300 Stainless	3.19"	Aluminum
65002000092878	8000	1/4" NPT Female	1/4" NPT Male	316 Stainless	3.19"	Stainless
65002000093392	8000	1/4" NPT Female	1/4" NPT Male	300 Stainless	3.19"	Brass
65002000092349	8000	1/4" NPT Female	1/4" NPT Male	300 Stainless	3.19"	Stainless
65002000090291	8000	1/8" NPT Female	1/4" NPT Male	300 Stainless	3.19"	Stainless
65002000090290	8000	1/4" NPT Female	1/8" NPT Male	300 Stainless	3.19"	Stainless
65002000092196	8000	1/4" NPT Female	1/4" NPT Male	Steel	3.72"	Aluminum
65002000093789	8000	1/4" NPT Female	1/8" NPT Male	300 Stainless	3.75"	Stainless
65002000091638	8000	1/4" NPT Female	1/4" NPT Male	300 Stainless	3.75"	Stainless
65002000090769	8000	1/4" NPT Male	1/4" NPT Male	Steel	4.31"	Aluminum
65002000090338	8000	1/4" NPT Male	1/4" NPT Male	300 Stainless	4.31"	Stainless

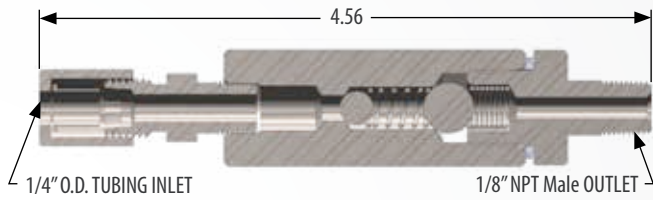


PART NO.	MAX PSI	INLET	OUTLET	MATERIAL	OAL	GASKET
65002000093258	8000	1/4" NPT Female	1/4" NPT Female	300 Stainless	2.41"	Stainless

## INLINE DOUBLE BALL

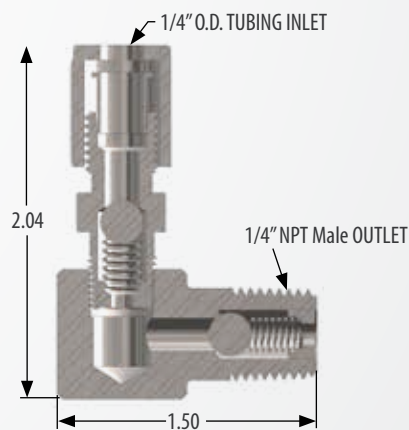


PART NO.	MAX PSI	INLET	OUTLET	MATERIAL	OAL	GASKET
650020000090287	6000	1/4" Tube Flare	1/8" NPT Male	Steel	4.50"	Aluminum



PART NO.	MAX PSI	INLET	OUTLET	MATERIAL	OAL	GASKET
650020000090033	8000	1/4" Tube	1/8" NPT Male	Steel	4.56"	Aluminum
650020000090101	8000	1/4" Tube	1/4" NPT Male	Steel	4.56"	Aluminum
650020000090034	8000	1/4" Tube	1/8" NPT Male	300 Stainless	4.56"	Stainless
650020000090109	8000	1/4" Tube	1/4" NPT Male	300 Stainless	4.56"	Stainless

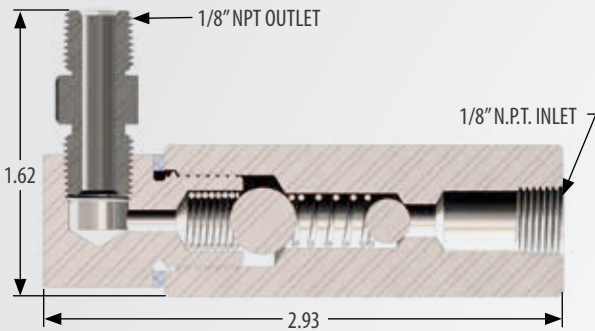
## 90° DOUBLE BALL



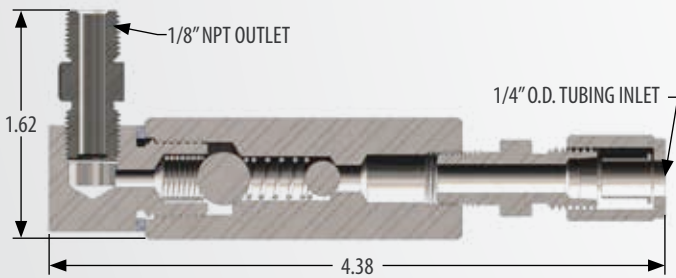
PART NO.	MAX PSI	INLET	OUTLET	MATERIAL	OAL	GASKET
650020000090731	3000	1/4" Tube	1/4" NPT Male	Steel	2.09"	NA
6500200090731SS	3000	1/4" Tube	1/4" NPT Male	300 Stainless	2.09"	NA



## 90° DOUBLE BALL

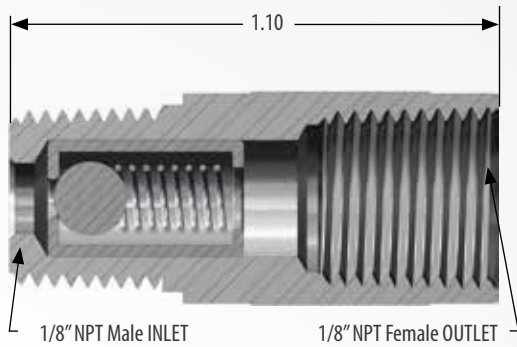


PART NO.	MAX PSI	INLET	OUTLET	MATERIAL	OAL	GASKET
650020000090104	8000	1/8" NPT Female	1/8" NPT Male	Steel	2.93"	Aluminum
650020000090103	8000	1/4" NPT Female	1/4" NPT Male	Steel	2.93"	Aluminum
650020000090112	8000	1/8" NPT Female	1/4" NPT Male	Steel	2.93"	Aluminum
650020000090296	8000	1/4" NPT Female	1/8" NPT Male	Steel	2.93"	Aluminum
650020000090105	8000	1/8" NPT Female	1/8" NPT Male	300 Stainless	2.93"	Stainless
650020000090106	8000	1/4" NPT Female	1/4" NPT Male	300 Stainless	2.93"	Stainless
650020000090297	8000	1/8" NPT Female	1/4" NPT Male	300 Stainless	2.93"	Stainless
650020000090108	8000	1/4" NPT Female	1/8" NPT Male	300 Stainless	2.93"	Stainless

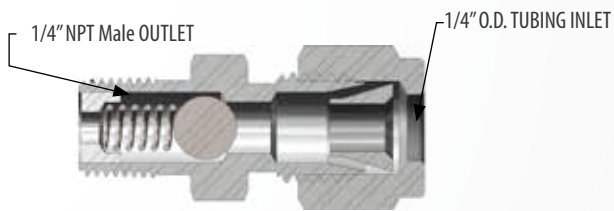


PART NO.	MAX PSI	INLET	OUTLET	MATERIAL	OAL	GASKET
650020000090107	8000	1/4" Tube	1/8" NPT Male	Steel	4.38"	Aluminum
650020000090102	8000	1/4" Tube	1/4" NPT Male	Steel	4.38"	Aluminum
650020000090110	8000	1/4" Tube	1/8" NPT Male	300 Stainless	4.38"	Stainless
650020000090111	8000	1/4" Tube	1/4" NPT Male	300 Stainless	4.38"	Stainless

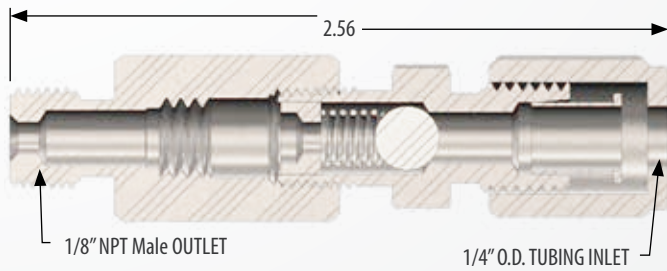
## INLINE SINGLE BALL



PART NO.	MAX PSI	INLET	OUTLET	MATERIAL	OAL
650020000090501	3000	1/8 NPT Female	1/8 NPT Male	Steel	1.28"
650020000092466	3000	1/8 NPT Female	1/8 NPT Male	Stainless	1.28"
650020000090336	3000	1/4 NPT Female	1/4 NPT Male	Stainless	1.75"

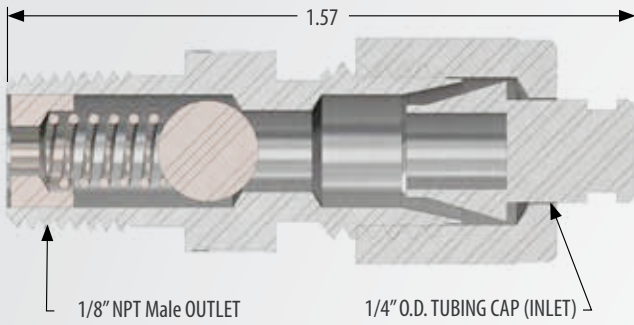


PART NO.	MAX PSI	INLET	OUTLET	MATERIAL	OAL
650020000091027	3000	1/4" Tube	1/8 NPT Male	Steel	1.62



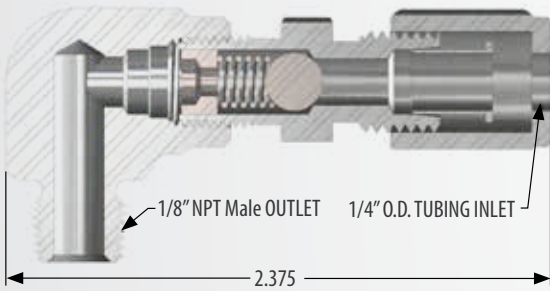
PART NO.	MAX PSI	INLET	OUTLET	MATERIAL	OAL
650020000093513	3000	1/4" Tube	1/8 NPT Male	Steel	2.56

## INLINE SINGLE BALL

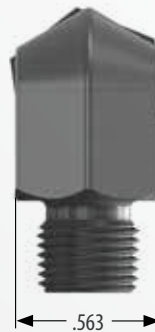
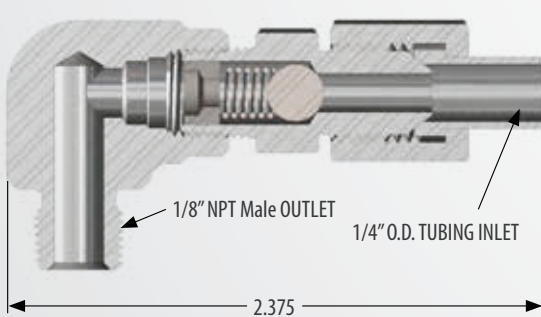


PART NO.	MAX PSI	INLET	OUTLET	MATERIAL	OAL
650020000092918	3000	1/4" Tube	1/8 NPT Male	300 Stainless	1.57"

## 90° SINGLE BALL



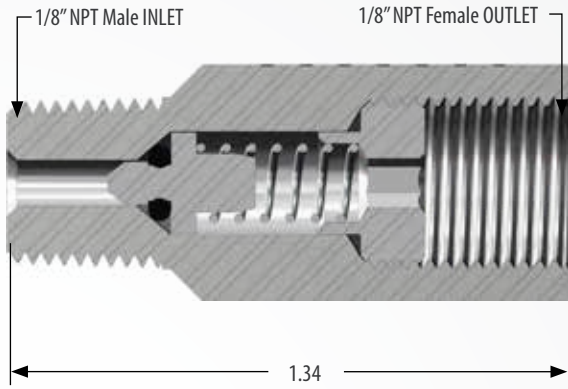
PART NO.	MAX PSI	INLET	OUTLET	MATERIAL	OAL
650020000090040	3000	1/4" Tube	1/8 NPT Male	Steel	2.38"
650020000090329	3000	1/4" Tube	1/8 NPT Male	300 Stainless	2.38"
650020000090329	3000	1/4" Tube	1/4 NPT Male	300 Stainless	2.38"



PART NO.	MAX PSI	INLET	OUTLET	MATERIAL	OAL
650020000090043	3000	1/4" Tube Flare	1/8 NPT Male	Steel	2.38"

# Poppet Check Valves

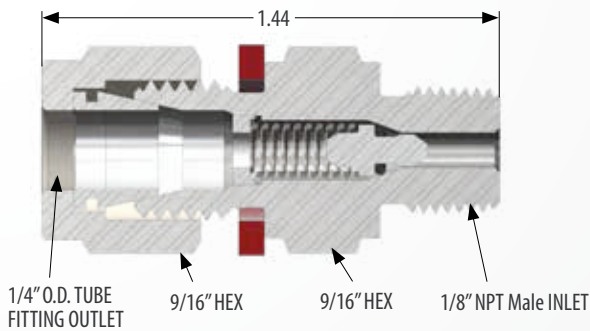
## INLINE SINGLE POPPET



PART NO.	MAX PSI	INLET	OUTLET	MATERIAL	OAL	POPPET QTY	RING COLOR
650020000094731	7250	1/8 NPT Male	1/8 NPT Female	Steel	1.34	Single	NA
650020000094732	7250	1/8 NPT Male	1/8 NPT Female	300 Stainless	1.34	Single	NA
6500200421PRNPT	8000	1/8 NPT Male	1/4 Tube	300 Stainless	1.44	Single	Red
65002000421PROR	8000	Custom 1/8 ORB	1/4 Tube	300 Stainless	1.44	Single	Red
65002000421PNPT	8000	1/4 Tube	1/8 NPT Male	300 Stainless	1.44	Single	Blue
65002000422PNPT	8000	1/4 Tube	1/8 NPT Male	300 Stainless	1.72	Double	Blue

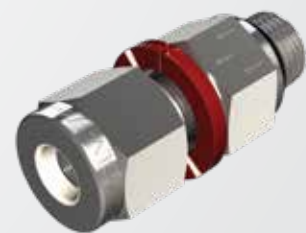
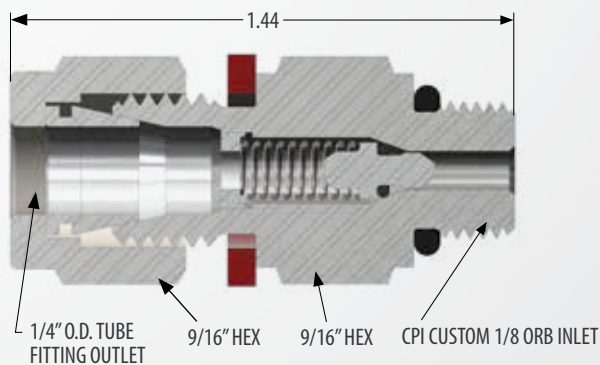
**6500200421PRNPT**

**6500200421PRNPT**



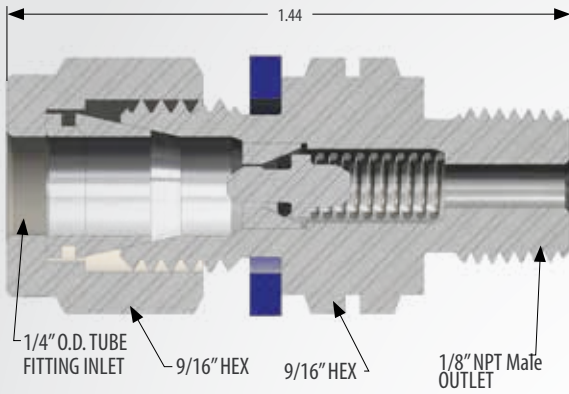
**65002000421PROR**

**65002000421PROR**



## INLINE SINGLE POPPET

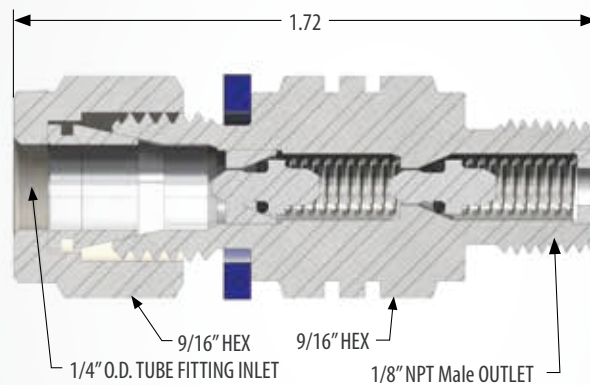
65002000421PNPT



65002000421PNPT



65002000422PNPT



65002000422PNPT



CPI, part of the Howden group, prides itself on its unique approach to developing new compressor valve concepts and non-metallic materials used in the production of valves, piston rings, rider rings, packing and oil wipers. Our application expertise has transformed the performance and reliability of reciprocating compressors in a wide range of applications around the world.