

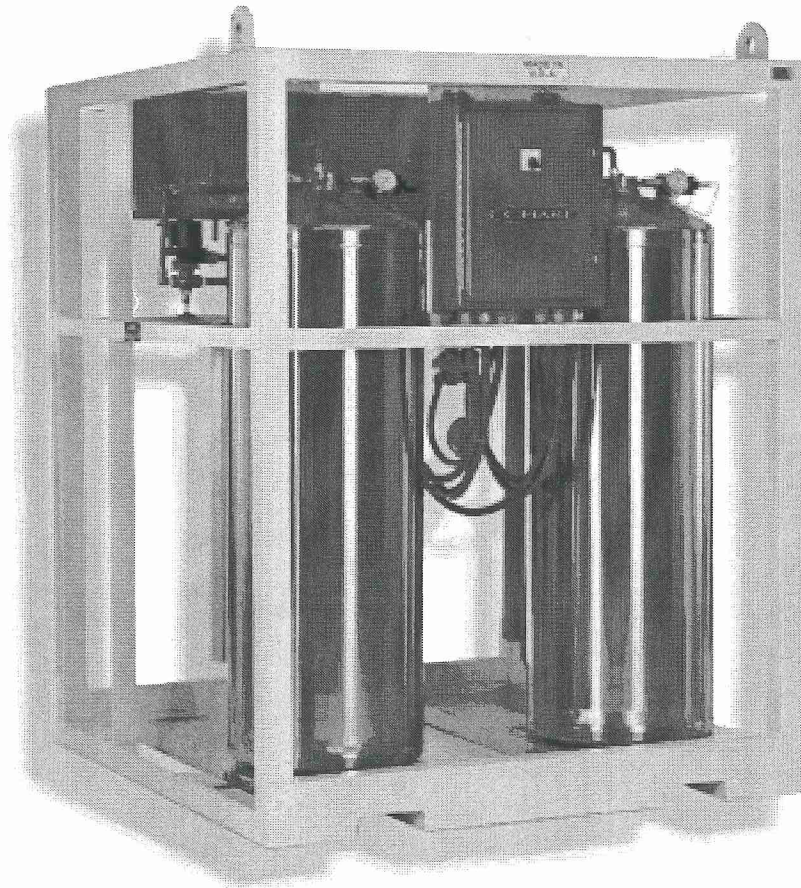


Service Manual

OPERATING INSTRUCTIONS

TRIFECTA 10K

TRIFECTA Gas Supply System - Rev C



Trifecta 10K

TABLE OF CONTENTS

GENERAL	1
SYSTEM SPECIFICATIONS	1
DIMENSIONS	1
FLOW	1
ELECTRICAL	1
SAFETY	2
Safety Summary	2
Safety Bulletin	3
INSTALLATION	6
PLACEMENT OF SKID	6
PLUMBING TO BULK TANK	6
PLUMBING TO VAPORIZER	7
BULK TANK PRESSURE TRANSMITTER	8
Plumbing to Bulk Tank Pressure Transmitter	8
ELECTRICAL POWER SUPPLY	9
COMMISSIONING	10
Control Panel Heater	11
OPERATION	12
AUTOMATIC MODE	12
PLC CONTROLLER INTERFACE	13
Changing Parameters	13
<i>Typical Operating Cycle</i>	14
<i>Fill Mode</i>	14
MANUAL MODE	15
REPLACEMENT PARTS	16
SOLENOID VALVES	17
PRESSURE/DIFFERENTIAL PRESSURE TRANSMITTERS	17
LASER-CYL PRESSURE SAFETY DEVICES	17
LINE RELIEF VALVES	17
FUSES	18
RESISTOR ELEMENTS	18
RELAYS	19
TROUBLESHOOTING	20
SENSOR ERROR CHECK	20
Sensor Error Solutions	20
PRODUCT DELIVERY	21
CHECKING TRANSMITTER OUTPUT	22
Pressure Transmitter	23
Differential Pressure Transmitter	23
CHECKING RESISTOR VALUES	25
RECOMMENDED SPARE PARTS	25

TABLE OF CONTENTS (con't)

APPENDIX26
FAILURE CHECK LIST26
DRAWING C- P/N 1092884927

LIST OF TABLES

TABLE 1 - <i>Configurable Values</i>	13
TABLE 2 - <i>Typical TRIFECTA Fill Cycle Time</i>	15
TABLE 3 - <i>Valve Identification</i>	16
TABLE 4 - <i>Solenoid Valves</i>	16
TABLE 5 - <i>Solenoid Valve Repair Kits</i>	17
TABLE 6 - <i>Transmitters</i>	17
TABLE 7 - <i>Pressure Safety Devices</i>	17
TABLE 8 - <i>Line Relief Valves</i>	17
TABLE 9 - <i>Fuses</i>	18
TABLE 10 - <i>Resistor Elements</i>	18
TABLE 11 - <i>Relays</i>	19
TABLE 12 - <i>Troubleshooting</i>	21
TABLE 13 - <i>PLC Input Channels</i>	22
TABLE 14 - <i>Pressure Transmitter Formula Quick View</i>	24
TABLE 15 - <i>Differential Pressure Transmitter Formula Quick View</i>	24
TABLE 16 - <i>Resistor Removal Terminals</i>	25
TABLE 17 - <i>Recommended Spares</i>	25

TABLE OF FIGURES

FIGURE 1 - <i>System Flow Curve</i>	1
FIGURE 2 - <i>Plumbing Connection Points</i>	8
FIGURE 3 - <i>Field Wiring Diagram</i>	9
FIGURE 4 - <i>System Front View</i>	12
FIGURE 5 - <i>Valve Identification</i>	16
FIGURE 6 - <i>Fuse Location Diagram</i>	18
FIGURE 7 - <i>Relay Identification Drawing</i>	19
FIGURE 8 - <i>Input Channel Location on the PLC</i>	22

GENERAL

Congratulations, you now own Chart's TRIFECTA high-pressure gas supply system. This system is designed to utilize a standard, low pressure cryogenic bulk tank to produce the high pressure and flow rate gas that is being demanded by today's laser systems. The system is designed to provide a continuous flow of high-pressure gas with no interaction from the user. The user simply needs to maintain liquid in the bulk tank, and TRIFECTA's controls system will manage the rest.

SYSTEM SPECIFICATIONS

DIMENSIONS

Height: 79 in. (2,007 mm)

Length: 65 in. (1,651 mm)

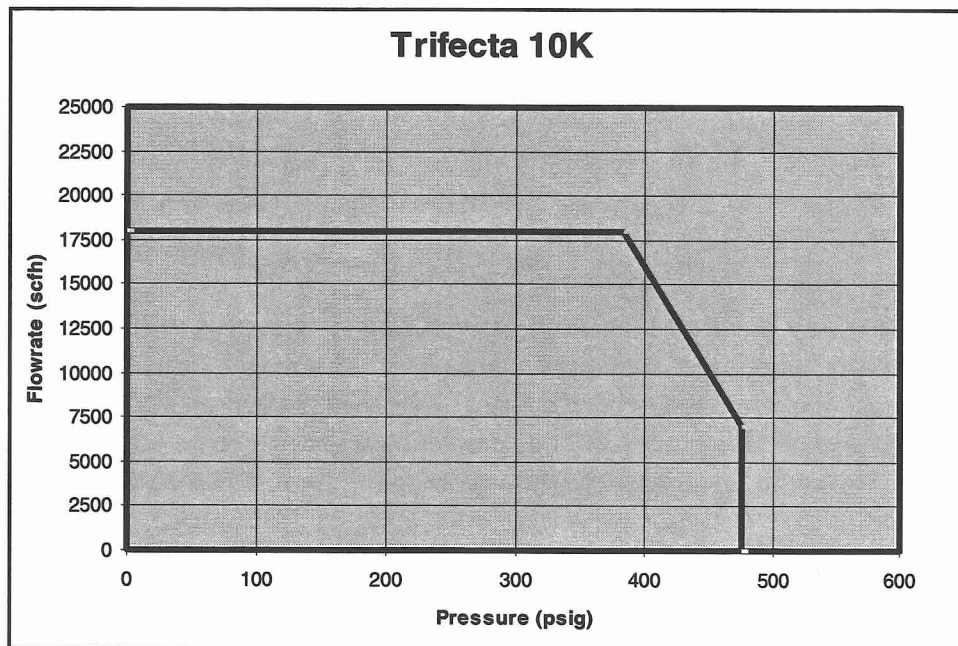
Width: 60 in. (1,524 mm)

Weight: 1,966 lbs. (892 Kg)

FLOW

The TRIFECTA gas supply system is capable of supplying a continuous nitrogen gas-flow rate at higher pressures than standard cryogenic bulk storage tanks. If the customer can tolerate lower delivery pressures, the TRIFECTA system will deliver greater flow rates. If the customer can tolerate lower flow rates, the TRIFECTA system will deliver at higher pressures. The following curve is an approximation of the flow rate and delivery pressure relationship:

Figure 1 - System Flow Curve



ELECTRICAL

The system has an electrical requirement of 5.4A full load, and 11.4 peak load. The electrical supply voltage should be 110 Vac.

SAFETY

As with any cryogenic system, it should be observed that any non-insulated piping can get extremely cold and should not be touched by exposed skin. If the system requires maintenance, it should be shutdown and allowed to warm-up. If maintenance is to be done on the system, such as changing valve seats, it is extremely important that the pressure be relieved from the system through the vent valves. The five transmitters can monitor the system pressures and liquid levels. When doing maintenance on the system, it is recommended that the manual isolation valves to the bulk tank be closed.

Safety Summary

Strict compliance with proper safety and handling practices is necessary when using a cryogenic system. We recommend that all our customers re-emphasize safety and safe handling practices to all their employees and customers. While every possible safety feature has been designed into the unit and safe operations are anticipated, it is essential that the user of the cryogenic system carefully read to fully understand all WARNINGS and CAUTION notes listed in this safety summary and enumerated below. Also read the information provided in the Safety Bulletin for Oxygen and Inert Gases following this Safety Summary. Periodic review of the Safety Summary is recommended.

In an oxygen-enriched atmosphere, flammable items burn vigorously and could explode. Excess accumulation of oxygen creates an oxygen-enriched atmosphere (defined by the Compressed Gas Association as an oxygen concentration above 23%). Certain items considered non-combustible in air might burn rapidly in such an environment. Keep all organic materials and other flammable substances away from possible contact with oxygen; particularly oil, grease, kerosene, cloth, wood, paint, tar, coal, dust, and dirt which may contain oil or grease. Do not permit smoking or open flame in any area where oxygen is stored, handled, or used. Failure to comply with this warning may result in serious personal injury.

Nitrogen and argon vapors in air may dilute the concentration of oxygen necessary to support or sustain life. Exposure to such an oxygen deficient atmosphere can lead to unconsciousness and serious injury, including death.

Before removing any parts or loosening fittings, empty the cryogenic container of liquid contents and release any vapor pressure in a safe manner. External valves and fittings can become extremely cold and may cause painful burns to personnel unless properly protected. Personnel must wear protective gloves and eye protection whenever removing parts or loosening fittings. Failure to do so may result in personal injury due to the extreme cold and pressure in the tank.

Accidental contact of liquid gases with skin or eyes may cause a freezing injury similar to a burn. Handle liquid so that it will not splash or spill. Protect your eyes and cover skin where the possibility of contact with liquid, cold pipes and equipment, or cold gas exists. Safety goggles or a face shield should be worn if liquid ejection or splashing may occur or cold gas may issue forcefully from equipment. Clean, insulated gloves that can be easily removed and long sleeves are recommended for arm protection. Cuffless trousers should be worn over the shoes to shed spilled liquid.

If clothing should be splashed with liquid oxygen it will become highly flammable and easily ignited while concentrated oxygen remains. Such clothing must be aired out immediately, removing the clothing if possible, and should not be considered safe for at least 30 minutes.

Use only replacement parts that are compatible with liquid oxygen and have been cleaned for oxygen use. Do not use regulators, fittings, hoses, etc., which have been previously used in a compressed air environment. Similarly, do not use oxygen equipment for compressed air. Failure to comply with these instructions may result in serious damage to the container.

Before locating oxygen equipment, become familiar with the National Fire Protection Association (NFPA) standard No. 50, "Bulk Oxygen Systems at Customer Sites", and with all local safety codes. The NFPA standard covers general principles recommended for installing bulk oxygen systems on industrial and institutional consumer premises.

To prevent possible tip over, do not leave tank standing upright unless it is secured to its foundation (bolted down). Transporting and erection of the tank should be performed in accordance with rigging instructions available from Chart. Failure to comply with these instructions may result in serious damage to the container.

Safety Bulletin

Portions of the following information is extracted from Safety Bulletin SB-2 from the Compressed Gas Association, Inc., (CGA). Additional information on nitrogen and argon and liquid cylinders is available in CGA Pamphlet P-9. Write to: Compressed Gas Association, Inc., 1235 Jefferson Davis Highway, Arlington, VA 22202.

FROM CGA SAFETY BULLETIN:

Cryogenic containers, stationary or portable are from time-to-time subjected to assorted environmental conditions of an unforeseen nature. This safety bulletin is intended to call attention to the fact that whenever a cryogenic container is involved in any incident whereby the container or its safety devices are damaged, good safety practices must be followed. The same holds true whenever the integrity or function of a container is suspected of abnormal operation.

Good safety practices dictate that the contents of a damaged or suspect container be carefully emptied as soon as possible. Under no circumstances should a damaged container be left with product in it for an extended period of time. Further, a damaged or suspect container should not be refilled unless the unit has been repaired and re-certified.

Incidents, which require that such practices, be followed, include highway accidents, immersion in water, exposure to extreme heat or fire, and exposure to most adverse weather conditions (earthquakes, tornadoes, etc.). As a rule of thumb, whenever a container is suspected of abnormal operation, or has sustained actual damage, good safety practices must be followed.

In the event of known or suspected container vacuum problems (even if an extraordinary circumstance such as those noted above has not occurred), do not continue to use the unit. Continued use of a cryogenic container that has a vacuum problem can lead to embrittlement and cracking. Further, the carbon steel jacket could possibly rupture if the unit is exposed to inordinate stress conditions caused by an internal liquid leak.

Prior to reusing a damaged container, the unit must be tested, evaluated, and repaired as necessary. It is highly recommended that any damaged container be returned to Chart for repair and re-certification.

The remainder of this safety bulletin addresses those adverse environments that may be encountered when a cryogenic container has been severely damaged. These are oxygen deficient atmospheres, oxygen-enriched atmospheres, and exposure to inert gases.

OXYGEN DEFICIENT ATMOSPHERES

The normal oxygen content of air is approximately 21%. Depletion of oxygen content in air, either by combustion or by displacement with inert gas, is a potential hazard and users should exercise suitable precautions.

One aspect of this possible hazard is the response of humans when exposed to an atmosphere containing only 8 to 12% oxygen. In this environment, unconsciousness can be immediate with virtually no warning.

When the oxygen content of air is reduced to about 15 or 16%, the flame of ordinary combustible materials, including those commonly used as fuel for heat or light, may be extinguished. Somewhat below this concentration, an individual breathing the air is mentally incapable of diagnosing the situation. The onset of symptoms such as sleepiness, fatigue, lassitude, loss of coordination, errors in judgment and confusion can be masked by a state of "euphoria," leaving the victim with a false sense of security and well being.

Human exposure to atmosphere containing 12% or less oxygen leads to rapid unconsciousness. Unconsciousness can occur so rapidly that the user is rendered essentially helpless. This can occur if the condition is reached by immediate change of environment, or through the gradual depletion of oxygen.

Most individuals working in or around oxygen deficient atmospheres rely on the "buddy system" for protection - obviously, the "buddy" is equally susceptible to asphyxiation if he or she enters the area to assist an unconscious partner unless equipped with a portable air supply. Best protection is obtainable by equipping all individuals with a portable supply of respirable air. Lifelines are acceptable only if the area is essentially free of obstructions and individuals can assist one another without constraint.

If oxygen deficient atmosphere is suspected or known to exist:

1. Use the "buddy system", and use more than one "buddy" if necessary to move a fellow worker in an emergency.
2. Both the worker and "buddy" should be equipped with self-contained or air line breathing equipment.

OXYGEN ENRICHED ATMOSPHERES

An oxygen-enriched atmosphere occurs whenever the normal oxygen content of air is allowed to rise above 23%. While oxygen is non-flammable, ignition of combustible materials can occur more readily in an oxygen-rich atmosphere than in air; and combustion proceeds at a faster rate although no more total heat is released.

It is important to locate an oxygen system in a well-ventilated location since oxygen-rich atmospheres may collect temporarily in confined areas during the functioning of a safety relief device or leakage from the system.

Oxygen system components, including but not limited to, containers, valves, valve seats, lubricants, fittings, gaskets and interconnecting equipment including hoses, shall have adequate compatibility with oxygen under the conditions of temperature and pressure to which the components may be exposed in the containment and use of oxygen. Easily ignitable materials shall be avoided unless they are parts of equipment or systems that are approved, listed, or proved suitable by tests or by past experience.

Compatibility involves both combustibility and ease of ignition. Materials that burn in air may burn violently in pure oxygen at normal pressure, and explosively in pressurized oxygen. In addition, many materials that do not burn in air may do so in pure oxygen, particularly when under pressure. Metals for containers and piping must be carefully selected, depending on service conditions. The various steels are acceptable for many applications, but some service conditions may call for other materials (usually copper or its alloys) because of their greater resistance to ignition and lower rate of combustion.

Similarly, materials that can be ignited in air have lower ignition energies in oxygen. Many such materials may be ignited by friction at a valve seat or stem packing, or by adiabatic compression produced when oxygen at high pressure is rapidly introduced into a system initially at low pressure.

NITROGEN AND ARGON

Nitrogen and argon (inert gases) are simple asphyxiants. Neither gas will support or sustain life and can produce immediate hazardous conditions through the displacement of oxygen. Under high pressure these gases may produce narcosis even though an adequate oxygen supply, sufficient for life, is present.

Nitrogen and argon vapors in air dilute the concentration of oxygen necessary to support or sustain life. Inhalation of high concentrations of these gases can cause anoxia, resulting in dizziness, nausea, vomiting, or unconsciousness and possibly death. Individuals should be prohibited from entering areas where the oxygen content is below 19% unless equipped with a self-contained breathing apparatus. Unconsciousness and death may occur with virtually no warning if the oxygen concentration is below approximately 8%. Contact with cold nitrogen or argon gas or liquid can cause cryogenic (extreme low temperature) burns and freeze body tissue.

Persons suffering from lack of oxygen should be immediately moved to areas with normal atmospheres. **SELF CONTAINED BREATHING APPARATUS MAY BE REQUIRED TO PREVENT ASPHYXIATION OF RESCUE WORKERS.** Assisted respiration and supplemental oxygen should be given if the victim is not breathing. If cryogenic liquid or cold boil-off gas contacts a worker's skin or eyes, the affected tissues should be promptly flooded or soaked with tepid water (105-115°F; 41-46°C). **DO NOT USE HOT WATER.** Cryogenic burns, which result in blistering or deeper tissue freezing, should be examined promptly by a physician.

Chart customer stations are safely designed with the following features:

1. A vacuum maintenance system specifically designed to provide long life and all possible safety provisions.
2. Safety relief devices to protect the pressure vessel and vacuum casing, sized and selected in accordance with ASME standards to include a dual relief valve and rupture disc system to protect the pressure vessel, and a reverse buckling rupture disc or lift plate to protect the vacuum casing from over-pressure. While Chart equipment is designed and built to the most rigid standards, no piece of mechanical equipment can ever be 100% foolproof.

INSTALLATION

PLACEMENT OF SKID

The **TRIFECTA** skid has three lifting lugs on the top of the skid. These lifting lugs allow for placement of the skid by overhead crane. If an overhead crane is not available, the skid has fork truck access in the front.

The **TRIFECTA** skid should be placed on the concrete pad, near the bulk storage tank. It is preferred to put the skid as close to the bulk tank as possible without interfering with any other equipment or requirements of the tank. The system requires a transfer of liquid and gas between the bulk storage tank and the **TRIFECTA** skid. This process will become more efficient as the skid moves closer to the bulk tank.

The skid should be placed such that there is easy access to the front of the skid so that one can easily check the Laser-Cyl's gauges or the control box at any time. Consideration should also be given to where the optional external vaporizer will be placed on the pad.

PLUMBING TO BULK TANK

The **TRIFECTA** skid needs to have a line plumbed to the bulk storage tank. This line will serve two functions. The first function is to allow the transfer of liquid from the bulk tank to the Laser-Cyl's in the filling process. The second function is to allow the initial venting of gas from the Laser-Cyl to the bulk tank. This gas is vented into the liquid of the bulk tank to minimize pressure rise in the bulk tank. This one line should be plumbed to an Auxiliary liquid line of the bulk tank. The recommended line size is no smaller than one inch. When looking at the back of the system skid, there are two connection points available for plumbing hook-up. The connection point on the left, labeled C-1 on *FIGURE 2*, is the one that should be plumbed to the bulk tank.

The line should be insulated for two reasons. The first reason is that an insulated line will allow more efficient liquid transfers and fills. The second reason is that when the Laser-Cyl vents gas to the bulk tank, it is undesirable for the venting gas to pick-up any additional heat on its way to the bulk tank. If the vent gas picks up additional heat, the bulk tank will experience greater pressure rise.

To prevent the transfer of foreign material that may obstruct the operation of the solenoid valves and check valves, it is recommended that a strainer be included in the piping from the bulk tank to the Trifecta. A 100-mesh screen is acceptable. The minimum pipe size should be $\frac{3}{4}$ inch (1.9 cm), to minimize pressure drop.

◆ **NOTE ON START-UP:** It should be noted that there are no valves on the liquid inlet of the TRIFECTA system. The only valves on these lines are check valves to prevent back flow into the bulk tank. If the Laser-Cyls are at a pressure lower than the bulk tank, liquid will flow from the bulk tank to the Laser-Cyls until the pressure of the Laser-Cyls are the same as the bulk tank. As a result, the isolation valve on the bulk tank should not be opened until all plumbing connections are complete.

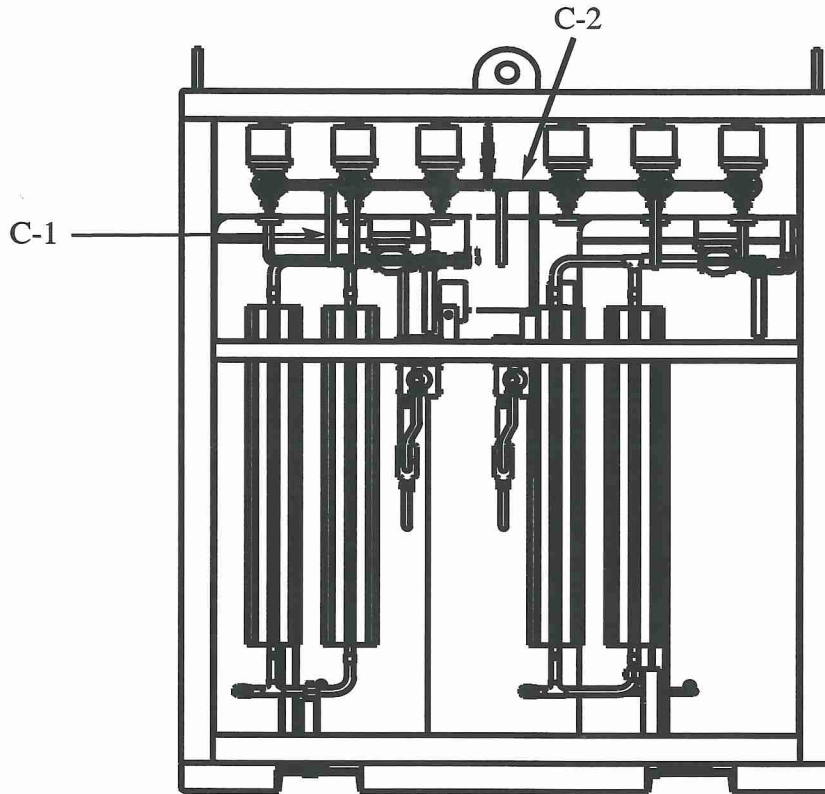
PLUMBING TO VAPORIZER

The TRIFECTA system does not contain an internal or external vaporizer. As a result, a freestanding, external vaporizer must be connected to the product delivery line of the TRIFECTA. Care must be taken to choose a vaporizer with a working pressure at least as high as the greatest pressure the system could be subjected to. This line should be plumbed with lines no smaller than ½ inch. Small lines will introduce undesirable pressure drops in the global gas system. Referring to *FIGURE 2*, Connection C-2 should be plumbed to the vaporizer. The exit of the vaporizer should be plumbed to the customer house line. When looking at the back of the system skid, there are four open-ended lines. Two of these lines are the vent to atmosphere lines for either tank, and the other two are the bulk tank connector and the gas use. These are labeled. Excluding the two vent lines, the connection point on the right is the one that should be plumbed to the vaporizer. This is the gas use line.

◆ **NOTE ON VAPORIZER INSTALLATION:** It is important to make sure the vaporizer assembly is protected against overpressureization from trapped liquid. The vaporizer installation must include a relief device on the down stream side of the vaporizer, preferably set at 550 psig (make sure your vaporizer is rated for at least this working pressure). The relief device on the TRIFECTA is only a fail-safe device, and should not be relied upon as the only relief avenue. Operation of the TRIFECTA gas use relief device may vent liquid, creating a noticeable vapor cloud.

◆ **IMPORTANT:** The down stream piping, including the vaporizer, should be charged with approximately the same pressure as the set operating pressure of the TRIFECTA before the system is turned on. This will prevent a sudden surge of liquid from entering the system, vaporizing quickly and lifting the safety relief device.

Figure 2 - Plumbing Connection Points



BULK TANK PRESSURE TRANSMITTER

The system controller requires the pressure input of the bulk tank to perform the filling procedure as efficiently as possible. This is done through a pressure transmitter. The pressure transmitter will measure the pressure of the bulk tank and send an electrical signal back to the controller. Transmitter (Rosemont) connection is 1/2" (1.3 cm) FPT.

Plumbing to Bulk Tank Pressure Transmitter

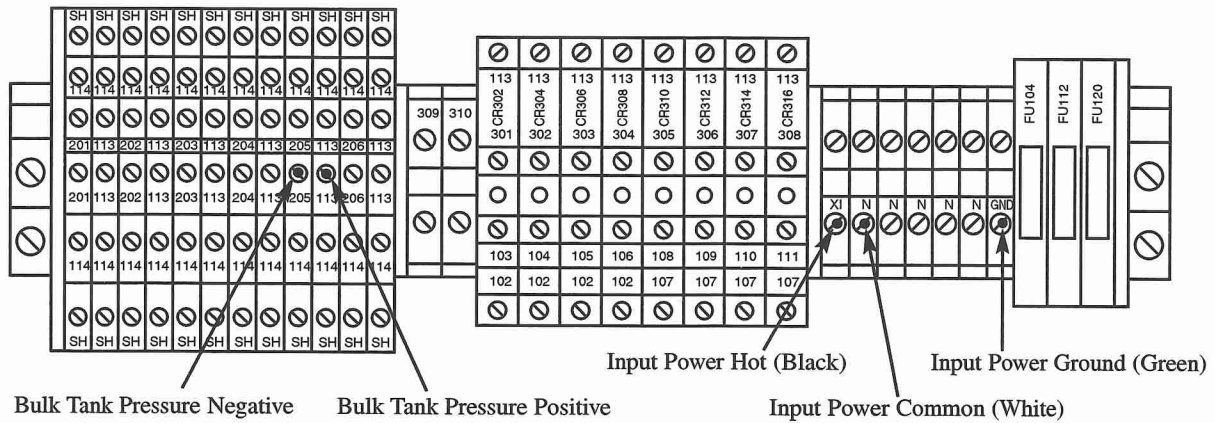
The bulk tank pressure transmitter is installed at the control box and the vapor pressure of the bulk tank must be piped to the transmitter. A convenient place to connect to the pressure source is with the vapor phase line of the differential pressure gauge installed on the bulk tank. When piping the pressure source to the transmitter, 1/8" (0.3 cm) copper tube may be used with

appropriate compression fittings.

ELECTRICAL POWER SUPPLY

The TRIFECTA system requires 20 Amperes of current at 110vac. The power should be run into the control box through one of the extra conduit holes provided on the bottom of the control box. For installation convenience, three gray terminals are provided on the bottom right corner of the control panel for power supplies hook-up. As *FIGURE 3* indicates, the first of the gray terminals (from the left)¹ is for the hot (black) wire of the power. The second terminal is for the neutral (white) wire of the power and the last gray terminal is for the ground (green) wire of the 110 vac-power supply. This is all of the power wiring that is needed. All other

FIGURE 3 - Field Wiring Diagram



power wiring has been completed at the factory.

It is important that care is taken to install the TRIFECTA system on an electrical power circuit that is clean and protected. Circuits that are susceptible to noise and brownouts may cause erratic behavior from the system. Care should also be taken to not install the system on a circuit that regularly gets shut on and off to provide power to another piece of equipment (lights, heaters, cooling systems etc.). It should be recognized that a PLC (computer) controls the TRIFECTA system and a circuit similar to that, which would be used to power a personal computer, should be used to power the TRIFECTA system. **It is recommended that the TRIFECTA system be powered by a dedicated circuit that is clean and protected to minimize**

¹ Starting on the right side of the relays.

the chances or occurrences of electrical noise, power surges or brown outs.

◆ It is important that the system be purged with warm, dry nitrogen before running the system with liquid. Water vapor can cause ice crystals to form that may cause the solenoid valves to operate improperly.

COMMISSIONING

- (1) Install the Trifecta unit as close to the bulk tank as possible to keep the supply runs short.
- (2) Be sure to use the liquid supply line from the bulk tank. (The gas use line is not an acceptable line for supply.)
- (3) Be sure a 100-mesh strainer was used in the supply line to the Trifecta unit. Check to see if the supply line is large (1-inch (2.5 cm) type K copper is acceptable) up to the stub on the Trifecta unit. The bulk tank pressure transmitter should be tapped into the gas phase line of the bulk tank liquid level gauge (3/8 (.95 cm) line should be used). Other gas lines are not acceptable.
- (4) If the Trifecta is installed in an area where ice and snow could build up, the skid should be raised approximately 6 inches (15.2 cm) with blocks to help aid in airflow to the vaporizer.
- (5) The power supply needs to be a dedicated power supply for the Trifecta only.
- (6) Be sure the free standing vaporizer is properly installed with a 550 psi (37.9 bar) relief valve on the gas side. (It is also helpful if an additional valve is added after the vaporizer for draining or testing of the system. It also can be used as a liquid cylinder emergency supply port if needed.) Be sure the vaporizer has a maximum working pressure of at least 550 psig (37.9 bar).
- (7) On initial start-up prior to powering the unit, manually open all the solenoid valves by turning the red-hand wheels on the solenoid valves clockwise. This will allow you to purge the system prior to liquid fill. Purge the system by slightly opening the bulk tank supply valve and allow liquid to enter the system and vaporize. Try to control the liquid flow to the point that all the liquid vaporizes. When you feel that the system has been purged adequately, close all the solenoid hand wheels by turning them counter-clockwise.
- (8) Manually add about 8 to 10 inches (20.3-25.4 cm) of liquid to each cylinder. This can be accomplished by opening the bulk tank liquid supply valve. The cylinders will equalize with the bulk tank pressure. You can then manually open the vent to atmosphere solenoid valve for the cylinder you wish to fill and the cylinder will begin manually filling. Stop each at 8 to 10 inches (20.3-25.4 cm).
- (9) After all the piping thaws out, a complete bubble test should be done on the system and any leaks should be repaired. If increased pressure is desired for testing the pressure build, solenoids can be manually opened and closed to accomplish this. Special care should be taken to make sure the vaporizer system is pressurized.

(10) The Trifecta can now be powered up. The controller will display Trifecta followed by the part number of the software (currently this part number should be 11190217). The controller will then choose the cylinder with the least amount of liquid in it for use. It should not be in a fill mode at this time. If the unit is in a fill mode, the controller cannot be accessed. To access the controller data, press the menu key. You should be at the operating pressure. The controller will have an operating pressure of 425 psi (29.3 bar) as default setting. This can be lowered to the desired pressure at this time. This is accomplished by using the up and down arrow keys. Always set the operating pressure to the lowest setting desired for the application. The F1 key will scroll you through the menu. The liquid levels will be displayed as will also the cylinder pressures and the bulk tank pressure. These values are for information and are not adjustable. You will also be offered in the menu a choice between 2K or 10K size. Choose the size of the Trifecta you have. The setting for overpressure will have default setting of 480 psi (33.1 bar). This setting should always have at least a 55-psi (3.8 bar) differential between it and the operating pressure. (Operating pressure at 425 (29.3 bar), overpressure at 480 (33.1 bar).) Bulk tank critical should be set to 150 psi (10.3 bar). To exit the menu, press menu and the controller will again be in the run mode. (Remember when you access the menu, all solenoid valves close, interrupting any process in use.)

(11) Bleed off product after the vaporizer until the cylinder in use begins a fill mode. Watch the fill mode to ensure the system functions. When the fill mode is complete, bleed product off to empty the second cylinder and watch its fill mode. Remember the bulk tank critical will determine if the cylinders vent to bulk or vent to atmosphere during filling. When the second cylinder is full, a complete cycle has taken place and both cylinder will be full.

(12) The overpressure setting should be tested at this time. This is done by manually raising the cylinder pressures with the system on. When you exceed the overpressure, the cylinder should vent to bulk or atmosphere depending upon the bulk tank pressure. If the cylinder relief valves open prior to the overpressure, the relief valves may need replacing due to weak springs.

(13) The system should now be ready for use.

Control Panel Heater

The TRIFECTA control panel is equipped with heater system to maintain a minimum temperature during extremely cold conditions. The setting should be set to about 25°F (-3.9°C).

OPERATION

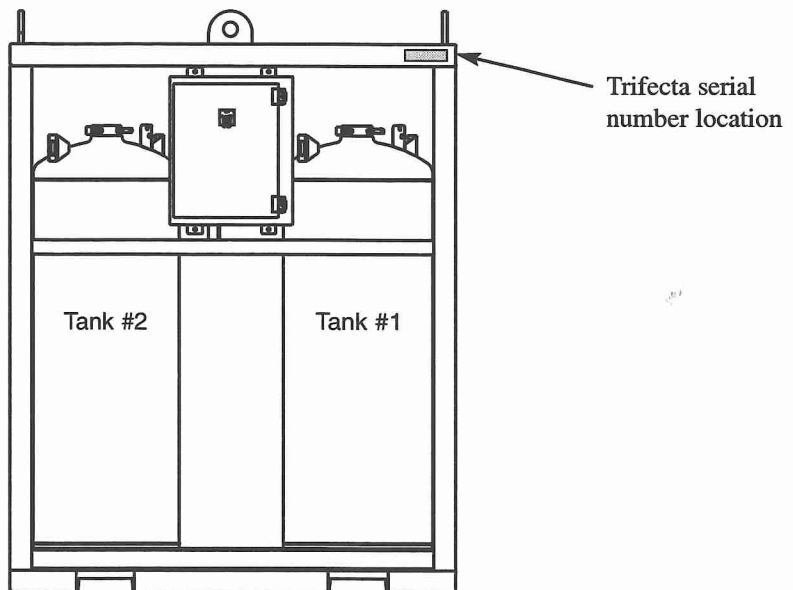
AUTOMATIC MODE

To operate the system in automatic mode, simply turn the power switch located on the control box door to the "ON" position. When the power is turned on, the controller will go through an initialization routine to determine which tank is going to be used first, or if either or both need filling. It is important to verify that all valves are open or closed, according to the following table.

◆ In automatic mode, all manual bypass handwheels on the solenoid valves must be in the closed position (handwheel unscrewed away from the solenoid valves allows the valve to close normally).

If the system has been shut off, upon turning the power back on, the controller will go through the initialization routine and begin controlling. Nothing is lost when the controller is turned off. The system does not have to be turned off in periods of non-use (over-night, weekends etc.). Turning the system off will de-energize the solenoids and may be advantageous if the system is not going to be used for an extended period of time (greater than four days). However, this is not necessary, as the system will continue to monitor itself and maintain pressures and liquid levels such that it is ready for immediate service. When looking at the front of the skid, the Laser-Cyl on the right is considered Tank #1².

FIGURE 4 - System Front View



The manual by-pass feature on the solenoid valve operates such that turning the valve handle in (closer to the valve body) will open the valve. Turning the valve handle out (away from the valve body) will close the valve. This is also labeled on the valve handle.

² Applies to TRIFECTA 450 system.

PLC CONTROLLER INTERFACE

The TRIFECTA system is controlled by a Programmable Logic Controller (PLC) that has a keypad interface. The software in the controller allows you to set up the system for your particular needs. It is anticipated that this will be used upon initial start-up, and not much after that, but it is available at any time. The controller allows you to configure the following parameters:

- ❖ *Operating Pressure* - This pressure is the low pressure that will cause the pressure builder to start. The pressure builder will come on when the Laser-Cyl reaches this pressure and build pressure up to 20 psig (1.4 bar) above the operating pressure.
- ❖ *Tank Choice* - This should be set to indicate if your system is using Laser-Cyl 450L or Laser-Cyl 200L.
- ❖ *Bulk Tank Critical* - At the start of the filling process, the Laser-Cyl will vent its gas into the bulk tank to conserve product if the pressure in the bulk tank is less than this value. If the pressure in the bulk tank is greater than this value, it will vent to atmosphere. This also applies to the over pressure condition.
- ❖ *Over Pressure* - If the pressure in the Laser-Cyl is above this value, it will vent product either to the bulk tank or to the atmosphere (according to Bulk Tank Critical). This is intended for safety purposes and to reduce the risk of relief valves opening.

These values have pre-programmed minimums and maximums. The following table shows the respective minimum, maximum and default value for each of the variables.

TABLE 1 - Configurable Values

Variable	Default Value	Minimum	Maximum
Operating Pressure	425 psig (29.3 bar)	20 psig (1.4 bar)	450 psig (31 bar)
Tank Choice	200L	200L	450L
Bulk Tank Critical	150 psig (10.3 bar)	35 psig (2.4 bar)	245 psig (16.9 bar)
Over Pressure	480 psig (33.1 bar)	Operating Pressure +22 psig (+1.5 bar)	490 psig (33.8 bar)

Changing Parameters

- ❖ When entering the Set-up Menu, the system will shut down and all valves will close. This should only be done in a time of service such that the end use is not immediately dependent on gas flow. Product will start being delivered upon exiting the Set-up Menu.

The Set-up Menu can be obtained by pressing the “menu” key on the keypad³ (Note: If the system is in a fill mode, the menu is inaccessible). After pressing the “menu” key, the LCD display will prompt you to “Press F1 for Values.” Repeatedly pressing the “F1” key will toggle through the list of values. In addition to the changeable values shown in *TABLE 1*, it also displays the readings of the pressure and differential pressure transmitters. This may be useful in troubleshooting as you can verify the transmitters are reading the same as the analog gauges on the tanks.

When you press the “F1” key and one of the changeable parameters from the above table is displayed, the value can be changed by pressing the “▲” (up) and “▼” (down) keys on the keypad. When the value has changed to the desired value, pressing “F1” will bring you to the next value. When all values are satisfactory, pressing the “menu” key will exit the Set-up Menu and return the system to operation based on the new values.

If the system is turned off, all of the parameters are stored in memory. When the system is turned back on, the controller will resume operation based on the most current values. The values will not need to be re-configured each time it is turned on.

Typical Operating Cycle

- ✧ Tank #1 in use (gas use valve is open and pressure building valve open on demand to maintain pressure), Tank #2 is on standby, full of product, and pressure building valve opens on demand to maintain pressure at set point.
- ✧ Tank #1 liquid level drops to 18% of full volume. After a short time delay, tank #1 switches to the fill mode and tank #2 switches to the gas delivery mode.
- ✧ The cycle is repeated thereafter.

Fill Mode

The following is a typical fill cycle, where the cylinder automatically fills and repressurizes, and ready to be switched into the gas delivery mode:

- ✧ Upon reaching 18% of full volume, the gas use valve closes and the vent valve opens to reduce the pressure in the cylinder to approximately 20 psig (*1.4 bar*) less than the pressure in the bulk tank. Depending upon the setting of the “Bulk Tank Critical”, the cylinder may vent directly into the bulk tank, or to the atmosphere.
- ✧ When the pressure drops to less than the bulk tank pressure, the liquid fill process begins. The cylinder is top filled and maintains a low pressure to complete the fill.
- ✧ When the liquid level reaches 32 inches (*81.3 cm*) H₂O, the pressure building solenoid opens to build pressure to the set point. The pressure in the cylinder increases above the bulk tank pressure and terminates the transfer of liquid (the check valves prevent back flow into the bulk tank).

³“Menu” key is disabled during the filling of a Laser-Cyl.

TABLE 2 - Typical TRIFECTA Fill Cycle Time

Operation	Time
Vent to Bulk Tank	1 min
Vent to Atmosphere	1 min
Liquid Filling	5 min
Repressurization	3 min
Totals	10 min

NOTE: The time listed above is typical, but not exact. Time will vary and is effected by distance of TRIFECTA from bulk tank, condition of the liquid in the bulk tank, bulk tank pressure and ambient conditions.

MANUAL MODE

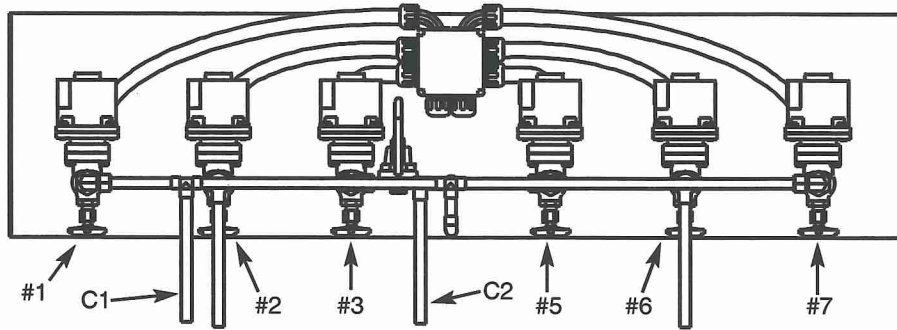
If power is lost to the system, all of the solenoid valves will close. To run the system, manually operate the solenoid valves by turning the valve handle on the bottom of the valve to provide flow as required. The operator will have to pick a tank to use and open its gas use and pressure building valve. It is important to note that when the system is running in manual mode, the pressure-building valve on the Laser-Cyl will need to be opened and monitored. If the loss of power continues and a tank needs to be filled, the operator will need to close the previous tank's gas use and pressure building valves, and open the other tank's gas use and pressure building valves. To fill the tank, the operator needs to control the vent of the Laser-Cyl to remain below the pressure of the bulk tank by operating the vent to atmosphere valve. When the pressure is lower than the bulk tank, liquid will flow into the tank through the check valve. The Laser-Cyls should be filled to 27 inches (68.6 cm) of water as shown on the liquid level gauges.

The manual by-pass feature of the solenoids is operated such that turning the valve handle in (closer to the valve body) will open the valve and allow flow. Turning the valve handle out (away from the valve body) will close the valve and stop flow.

◆ *NOTE:* It is EXTREMELY important that if the system is run in manual mode, the pressure-building valve not be opened and left unattended. The pressure building circuit does not have any regulators or control devices. If the valve is left open, rapid, uncontrolled pressure rise may occur. Since there is no power, the PLC controller will not be available to control the pressure. The Laser-Cyl relief valve and rupture disk will potentially open to relieve the pressure. The system should only be operated this way for brief periods of time until power can be restored. While operating this in this mode, someone should closely monitor the pressure of the tank and close the pressure building valve if the pressure rises more than desired.

The following figure and table illustrate the valves and their function:

FIGURE 5 - Valve Identification



The following table identifies the valves shown in the above diagram:

TABLE 3 - Valve Identification

Valve Number	Valve Description
1	Vent to bulk tank - Tank #1
2	Vent to atmosphere - Tank #1
3	Gas use - Tank #1
5	Gas use - Tank #2
6	Vent to atmosphere - Tank #2
7	Vent to bulk tank - Tank #2

Valves #4 and #8 are the pressure building valves for Tank #1 and Tank #2 respectively. These valves are not on the panel, but are mounted on the top of the pressure building coil next to the respective Laser-Cyl.

REPLACEMENT PARTS

SOLENOID VALVES

The solenoid valves that are used in this system have very long life and valve failure or replacement is highly unlikely. In the unlikely event that a valve needs to be repaired, the following table gives the part number of the valve. It is generally not necessary to remove the valve body, but only replace the top works of the valve. When replacing or inspecting the piston assembly, 4 bolts are removed holding the top head works to the body of the valve. It is very important upon replacement of the top head works to replace the gasket and take special precautions to torque the bolts evenly to 10 to 12 ft. per pound. Over torquing will distort the casting and cause the piston assembly to hang up.

TABLE 4 - Solenoid Valves

Valve Manufacture	Chart, Inc. Part Number
Magnatrol 1/2 NPT	10925509
Magnatrol 3/4 NPT (used on Pressure Building circuit)	11033191

If the whole valve is not required, there are repair kits available for various parts of the valve. *TABLE 5* lists the available repair kits for these valves:

TABLE 5 - Solenoid Valve Repair Kits

Repair Kit	Chart, Inc. P/N for valve #10925509	Chart, Inc. P/N for valve #11033191
Solenoid Coil (120 vac)	10963071	11034011
Piston Assembly	10963062	11034020
Gasket	10963100	10963100

PRESSURE/DIFFERENTIAL PRESSURE TRANSMITTERS

There are five transmitters in the TRIFECTA system. Two of the transmitters are measuring differential pressure of each of the Laser-Cyls. This is to provide a measure of liquid level. The other three transmitters are pressure transmitters. The five transmitters are used to provide pressure and liquid level information to the PLC for controlling purposes. *TABLE 6* lists the specifications for the transmitters used.

TABLE 6 - Transmitters

Transmitter Type	Service	Span	Output	Chart, Inc. Part Number
Differential Pressure	Inert	0-100" WC (0-254 cm)	4-20 mA	11043751
Pressure	Inert	0-500 psig (0-34.5 bar)	4-20 mA	11043743

LASER-CYL PRESSURE SAFETY DEVICES

Each Laser-Cyl in this system has its own pressure relief safety system. They each have a relief valve and a rupture disc. *TABLE 7* lists the specifications on these devices.

TABLE 7 - Pressure Safety Devices

Part	Size	Set Pressure	Chart, Inc. Part Number
Relief Valve	½" MPT (1.3 cm)	500 psig (34.5 bar)	11030264
Rupture Disc	¼" MPT (.7 cm)	700 psig (48.3 bar)	11055525

LINE RELIEF VALVES

The system has many line relief valves. These relief valves protect against the accidental closing of two valves with trapped liquid between them. The line relief valves are installed on "candy-canes" to help keep the valve at warmer temperatures. *TABLE 8* lists the specifications of the line relief valves used.

TABLE 8 - Line Relief Valves

Valve Manufacturer	Size	Set Pressure	Chart, Inc. Part Number
Rego	¼" MPT (.7 cm)	550 psig (37.9 bar)	1812702

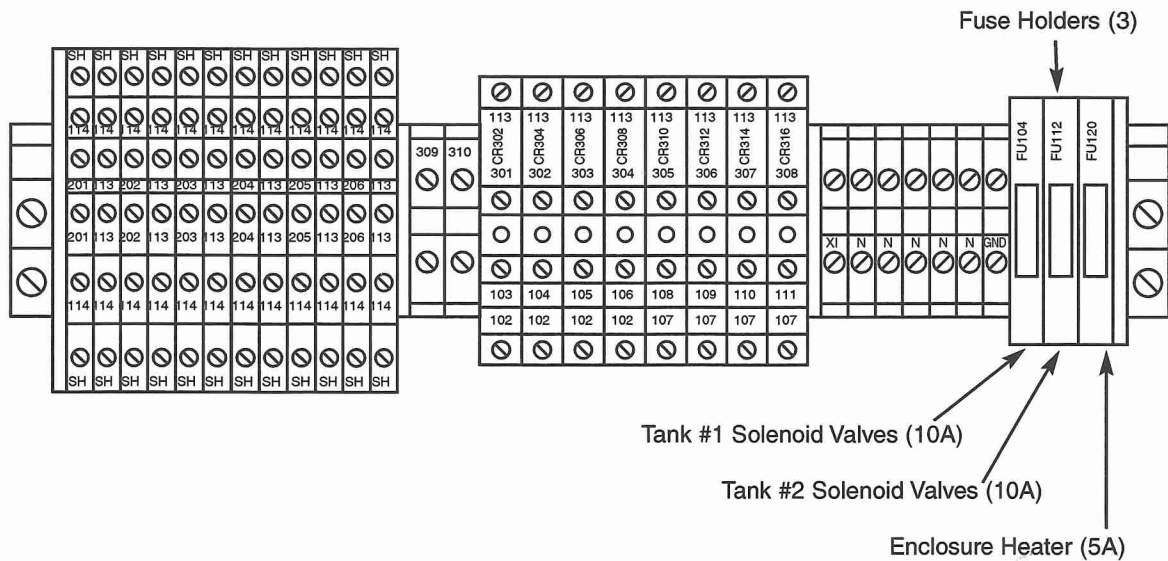
FUSES

The control box has three fuse-holder terminal blocks, which are black and have a lift open door. The power to the system should be turned off when checking or replacing fuses. To replace or check a fuse, lift the door open and slide the fuse out of the holder. Slide the new fuse in place and snap the door back into place. **TABLE 9** lists the specifications of the fuses in use, with **FIGURE 6** illustrating the location of the fuses.

TABLE 9 - Fuses

Fuse Type	Size	Capacity	Chart, Inc. Part Number
AGC-10	¼" x 1" (0.7 x 2.54 cm)	10 Amperes	AAA0205
AGC-5	¼" x 1" (0.7 x 2.54 cm)	5 Amperes	AAA0204

FIGURE 6 - Fuse Location Diagram



RESISTOR ELEMENTS

The control circuit utilizes precision resistor elements to convert the transmitters' 4-20mA current signal to a voltage for the controller to read. The resistors are 500 Ohms and have very tight tolerances. If a resistor does not measure 500 Ohms within 0.5 Ohms, a new resistor should be installed. **TABLE 10** lists the resistor information:

TABLE 10 - Resistor Elements

Resistance Value	Tolerance	Chart, Inc. Part Number
500 Ohm	0.1%	10965691

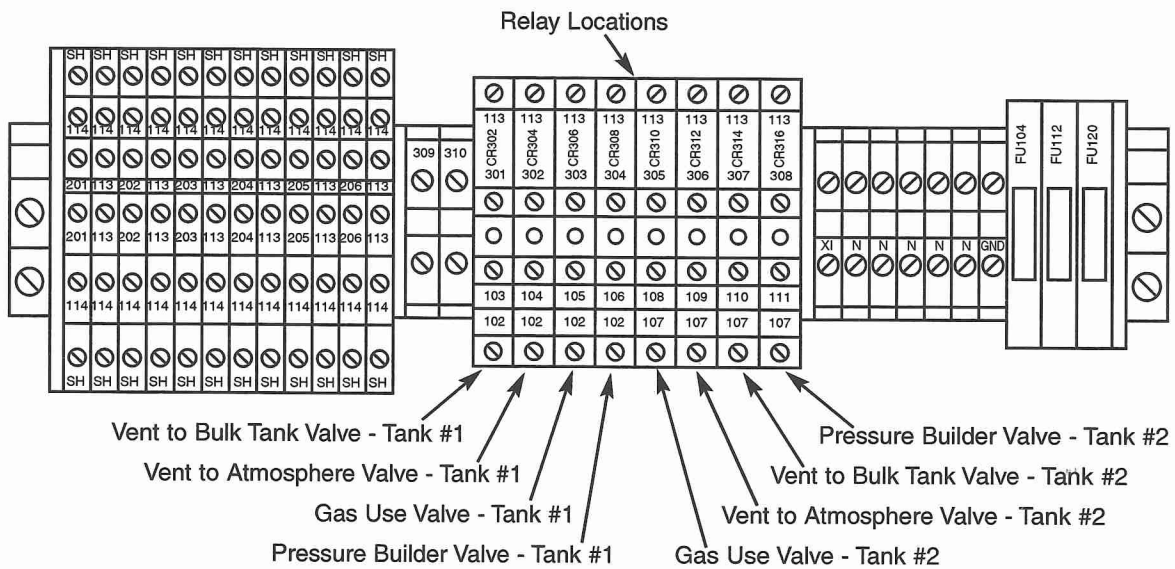
RELAYS

The control system contains eight relays that control the solenoid valves on the system. The eight relays are a 5A contact-rated relay. All of the relays have white LED's that indicate whether the relay is currently energized. Although these LED's provide good, quick indication of whether the relay is working, it is not proof that the relay contacts are operating. *FIGURE 7* illustrates which relays control which solenoid valves. *TABLE 11* lists the specifications for the relays:

TABLE 11 - Relays

Relay Type	Contact Rating	Coil Voltage	Chart, Inc. Part Number	Color
Normally Open	5 Amperes	24 vdc	10878028	Gray
Normally Open	5 Amperes	24 vdc	11482121	Tan

FIGURE 7 - Relay Identification Drawing



TROUBLESHOOTING

SENSOR ERROR CHECK

The PLC does a constant check on all five transmitters. If a transmitter were to come disconnected, or some other catastrophic failure, the PLC will detect it. When the PLC detects such a failure, it will shut down the entire system and display the following warning message on the LCD display:

**Sensor Connection
Error...Press F1**

After pressing the “F1” key on the keypad, the LCD display will tell you which transmitter has developed the problem and then prompt you to press the “menu” key when done. A sample message may be:

**Check: Tank 1 Press.
Press menu when done**

This would imply that the pressure transmitter for Tank #1⁴ is the source of the error. After fixing the problem, pressing the “menu” key will return the system to normal operation. If the problem is not fixed and the “menu” key is pressed, or if there is a second transmitter that needs attention, it will display the original Sensor Connection Error message again. Pressing the “F1” key will tell you which transmitter needs attention.

Sensor Error Solutions

The sensor error check function is designed to find problems such as a wire coming disconnected, or a short in the transmitter. This feature will not determine if the transmitter reading is off by any amount. If a Sensor Connection Error occurs, check the wire junctions at the transmitter end and inside the control box. Confirm that all connections are made. If all connections are made and the error condition does not go away, check the transmitter output as shown in the Checking Transmitter Output section.

⁴Tank #1 is the tank on the right when looking at the front of the control box.

PRODUCT DELIVERY

TABLE 12 lists possible problems and causes.

TABLE 12 - Troubleshooting

Problem	Possible Cause	Remedy
Laser-Cyl's don't fill	Power not on	Turn power on
	Bulk tank auxiliary liquid valve not open	Open bulk tank auxiliary liquid valve
	Laser-Cyl liquid valve not open	Open Laser-Cyl liquid valve
	Fill solenoid valve not opening	Check relay
		Repair solenoid
	No pressure in bulk tank	Build pressure in bulk tank
	Vent to atmosphere solenoid valve not opening	Check relay
		Repair solenoid
Leak in phase lines	Repair leaks	
Transmitters faulty	Replace transmitter	
Gas not being delivered	Power not on	Turn power on
	Laser-Cyl gas use valve not open ⁵	Open Laser-Cyl gas use valve
	Laser-Cyls empty	See above section
	Gas use solenoid valves not opening	Check relay
Repair gas use solenoid valve		
Controller Continuously Beeps	Code has been displaced from memory	Turn power off, wait a minute and turn it back on
		Consult factory

⁵ Applies to TRIFECTA 450 system.

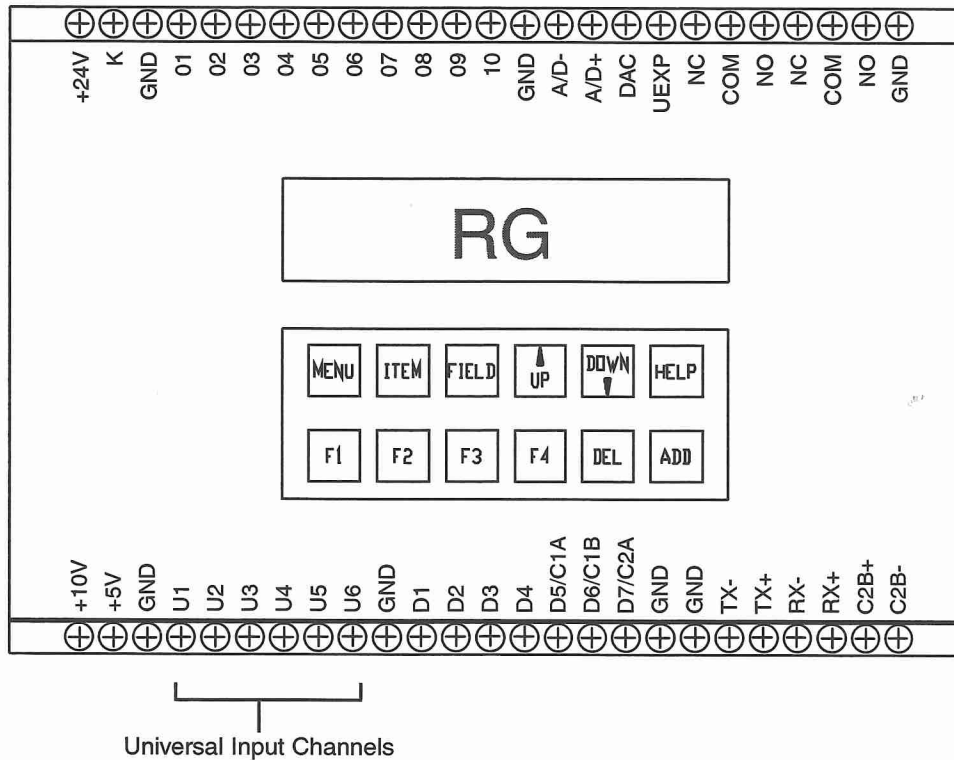
CHECKING TRANSMITTER OUTPUT (DC VOLTAGE)

If the transmitters are suspected of giving incorrect readings, the output can be checked while the system is running⁶. The bottom of the PLC controller has input channels U1-U6. The channels are assigned according to the following table, and can be located according to the following figure.

TABLE 13 - PLC Input Channels

Input Channel	Measurement
U1	Liquid Level - Tank #1
U2	Liquid Level - Tank #2
U3	Pressure - Tank #1
U4	Pressure - Tank #2
U5	Pressure - Bulk Tank
U6	Not Used

FIGURE 8 - Input Channel Location on the PLC



⁶This can also be done by pressing the “menu” button on the PLC keypad and toggling through the readings with the F1 button. This is described in the PLC Controller Interface section.

Pressure Transmitter

To check a pressure transmitter, measure the voltage from the appropriate input channel to the terminal GND. The probes of the voltmeter can be placed directly on the terminal screw heads. Either of the two GND terminals can be used as they are common internally to the PLC. With the measured voltage, calculate the pressure by the following equation:

$$\text{Pressure} = \left(\frac{\text{Voltage} \times 2 - 4}{16} \right) \times 500$$

For example, if the voltage measured between U5 and GND was 3.600 volts on a system in nitrogen or argon service, it would mean that the bulk tank should be at a pressure of:

$$\text{Pressure} = \left(\frac{3.600 \times 2 - 4}{16} \right) \times 500 = 100 \text{ psig}$$

If the pressure gauge on the bulk tank does not read approximately 100 psig, there is a possibility that the transmitter is not functioning properly.

Differential Pressure Transmitter

To check a differential pressure transmitter, measure the voltage from the appropriate input channel to GND. The probes of the voltmeter can be placed directly on the terminal screw heads. Either of the two GND terminals can be used, as they are common internally to the PLC. With the measured voltage, calculate the differential pressure by the following equation:

$$\text{Differential Pressure} = \left(\frac{\text{Voltage} \times 2 - 4}{16} \right) \times 100$$

For example, if the voltage measured between U1 and GND was 3.200 volts, it would mean that the liquid level of Laser-Cyl #1 is:

$$\text{Differential Pressure} = \left(\frac{3.200 \times 2 - 4}{16} \right) \times 100 = 15 \text{ inches of water}$$

If the liquid level gauge on Laser-Cyl #1 does not read approximately 15 inches of water, there is a possibility that the transmitter is not functioning properly.

Note that the transmitter and gauge readings may not match exactly.

TABLE 14 - Pressure Transmitter Formula Quick View

Pressure = [(Voltage x 2 - 4) / 16] x 500	Pressure = [(Voltage x 2 - 4) / 16] x 500	Pressure = [(Voltage x 2 - 4) / 16] x 500
0 = [(2 x 2 - 4) / 16] x 500	168.75 = [(4.7 x 2 - 4) / 16] x 500	337.5 = [(7.4 x 2 - 4) / 16] x 500
6.25 = [(2.1 x 2 - 4) / 16] x 500	175 = [(4.8 x 2 - 4) / 16] x 500	343.75 = [(7.5 x 2 - 4) / 16] x 500
12.5 = [(2.2 x 2 - 4) / 16] x 500	181.25 = [(4.9 x 2 - 4) / 16] x 500	350 = [(7.6 x 2 - 4) / 16] x 500
18.75 = [(2.3 x 2 - 4) / 16] x 500	187.5 = [(5 x 2 - 4) / 16] x 500	356.25 = [(7.7 x 2 - 4) / 16] x 500
25 = [(2.4 x 2 - 4) / 16] x 500	193.75 = [(5.1 x 2 - 4) / 16] x 500	362.5 = [(7.8 x 2 - 4) / 16] x 500
31.25 = [(2.5 x 2 - 4) / 16] x 500	200 = [(5.2 x 2 - 4) / 16] x 500	368.75 = [(7.9 x 2 - 4) / 16] x 500
37.5 = [(2.6 x 2 - 4) / 16] x 500	206.25 = [(5.3 x 2 - 4) / 16] x 500	375 = [(8 x 2 - 4) / 16] x 500
43.75 = [(2.7 x 2 - 4) / 16] x 500	212.5 = [(5.4 x 2 - 4) / 16] x 500	381.25 = [(8.1 x 2 - 4) / 16] x 500
50 = [(2.8 x 2 - 4) / 16] x 500	218.75 = [(5.5 x 2 - 4) / 16] x 500	387.5 = [(8.2 x 2 - 4) / 16] x 500
56.25 = [(2.9 x 2 - 4) / 16] x 500	225 = [(5.6 x 2 - 4) / 16] x 500	393.75 = [(8.3 x 2 - 4) / 16] x 500
62.5 = [(3 x 2 - 4) / 16] x 500	231.25 = [(5.7 x 2 - 4) / 16] x 500	400 = [(8.4 x 2 - 4) / 16] x 500
68.75 = [(3.1 x 2 - 4) / 16] x 500	237.5 = [(5.8 x 2 - 4) / 16] x 500	406.25 = [(8.5 x 2 - 4) / 16] x 500
75 = [(3.2 x 2 - 4) / 16] x 500	243.75 = [(5.9 x 2 - 4) / 16] x 500	412.5 = [(8.6 x 2 - 4) / 16] x 500
81.25 = [(3.3 x 2 - 4) / 16] x 500	250 = [(6 x 2 - 4) / 16] x 500	418.75 = [(8.7 x 2 - 4) / 16] x 500
87.5 = [(3.4 x 2 - 4) / 16] x 500	256.25 = [(6.1 x 2 - 4) / 16] x 500	425 = [(8.8 x 2 - 4) / 16] x 500
93.75 = [(3.5 x 2 - 4) / 16] x 500	262.5 = [(6.2 x 2 - 4) / 16] x 500	431.25 = [(8.9 x 2 - 4) / 16] x 500
100 = [(3.6 x 2 - 4) / 16] x 500	268.75 = [(6.3 x 2 - 4) / 16] x 500	437.5 = [(9 x 2 - 4) / 16] x 500
106.25 = [(3.7 x 2 - 4) / 16] x 500	275 = [(6.4 x 2 - 4) / 16] x 500	443.75 = [(9.1 x 2 - 4) / 16] x 500
112.5 = [(3.8 x 2 - 4) / 16] x 500	281.25 = [(6.5 x 2 - 4) / 16] x 500	450 = [(9.2 x 2 - 4) / 16] x 500
118.75 = [(3.9 x 2 - 4) / 16] x 500	287.5 = [(6.6 x 2 - 4) / 16] x 500	456.25 = [(9.3 x 2 - 4) / 16] x 500
125 = [(4 x 2 - 4) / 16] x 500	293.75 = [(6.7 x 2 - 4) / 16] x 500	462.5 = [(9.4 x 2 - 4) / 16] x 500
131.25 = [(4.1 x 2 - 4) / 16] x 500	300 = [(6.8 x 2 - 4) / 16] x 500	468.75 = [(9.5 x 2 - 4) / 16] x 500
137.5 = [(4.2 x 2 - 4) / 16] x 500	306.25 = [(6.9 x 2 - 4) / 16] x 500	475 = [(9.6 x 2 - 4) / 16] x 500
143.75 = [(4.3 x 2 - 4) / 16] x 500	312.5 = [(7 x 2 - 4) / 16] x 500	481.25 = [(9.7 x 2 - 4) / 16] x 500
150 = [(4.4 x 2 - 4) / 16] x 500	318.75 = [(7.1 x 2 - 4) / 16] x 500	487.5 = [(9.8 x 2 - 4) / 16] x 500
156.25 = [(4.5 x 2 - 4) / 16] x 500	325 = [(7.2 x 2 - 4) / 16] x 500	493.75 = [(9.9 x 2 - 4) / 16] x 500
162.5 = [(4.6 x 2 - 4) / 16] x 500	331.25 = [(7.3 x 2 - 4) / 16] x 500	500 = [(10 x 2 - 4) / 16] x 500

TABLE 15 - Differential Pressure Transmitter Formula Quick View

Inches = [(Voltage x 2 - 4) / 16] x 100	Inches = [(Voltage x 2 - 4) / 16] x 100	Inches = [(Voltage x 2 - 4) / 16] x 100
0 = [(2 x 2 - 4) / 16] x 100	13.75 = [(3.1 x 2 - 4) / 16] x 100	27.5 = [(4.2 x 2 - 4) / 16] x 100
1.25 = [(2.1 x 2 - 4) / 16] x 100	15 = [(3.2 x 2 - 4) / 16] x 100	28.75 = [(4.3 x 2 - 4) / 16] x 100
2.5 = [(2.2 x 2 - 4) / 16] x 100	16.25 = [(3.3 x 2 - 4) / 16] x 100	30 = [(4.4 x 2 - 4) / 16] x 100
3.75 = [(2.3 x 2 - 4) / 16] x 100	17.5 = [(3.4 x 2 - 4) / 16] x 100	31.25 = [(4.5 x 2 - 4) / 16] x 100
5 = [(2.4 x 2 - 4) / 16] x 100	18.75 = [(3.5 x 2 - 4) / 16] x 100	32.5 = [(4.6 x 2 - 4) / 16] x 100
6.25 = [(2.5 x 2 - 4) / 16] x 100	20 = [(3.6 x 2 - 4) / 16] x 100	33.75 = [(4.7 x 2 - 4) / 16] x 100
7.5 = [(2.6 x 2 - 4) / 16] x 100	21.25 = [(3.7 x 2 - 4) / 16] x 100	35 = [(4.8 x 2 - 4) / 16] x 100
8.75 = [(2.7 x 2 - 4) / 16] x 100	22.5 = [(3.8 x 2 - 4) / 16] x 100	36.25 = [(4.9 x 2 - 4) / 16] x 100
10 = [(2.8 x 2 - 4) / 16] x 100	23.75 = [(3.9 x 2 - 4) / 16] x 100	37.5 = [(5 x 2 - 4) / 16] x 100
11.25 = [(2.9 x 2 - 4) / 16] x 100	25 = [(4 x 2 - 4) / 16] x 100	38.75 = [(5.1 x 2 - 4) / 16] x 100
12.5 = [(3 x 2 - 4) / 16] x 100	26.25 = [(4.1 x 2 - 4) / 16] x 100	40 = [(5.2 x 2 - 4) / 16] x 100

CHECKING RESISTOR VALUES

Each transmitter utilizes a resistor element to convert its 4-20mA current signal to a voltage. These resistors should have a value of 500 Ohms. To check the resistors, it is important to isolate the resistor from the controller and the transmitter. Removing the resistor itself and measuring its value independent of the system can do this. To pull the resistors out of the control circuit, loosen the screws of the terminals listed in *TABLE 16* and remove the resistor. When replacing the resistor, be sure to place it in the same terminals as it was taken from. If the resistor is placed in the wrong terminals, or the terminals are not tight, the system will not operate correctly.

TABLE 16 - Resistor Removal Terminals

Sensor	Terminal #1	Terminal #2
Liquid Level - Tank #1	201	114
Liquid Level - Tank #2	202	114
Pressure - Tank #1	203	114
Pressure - Tank #2	204	114
Bulk Tank Pressure	205	114

Note that there are multiple terminals labeled #114. Use the #114 terminal that is directly below terminal #1 as shown in the above table. For example, if testing the resistor for the liquid level sensor of Tank #2, loosen screw terminals #202 and #114 (directly below #202). This will allow the resistor to be removed. The resistor can then be measured for its value. It is obviously extremely important that the resistor be returned to its original position when re-installing it.

In the event problems occur that are not explained in this manual, additional technical assistance is available by calling 1-800-400-4683. The failure checklist found in the Appendix will aid in trouble shooting.

RECOMMENDED SPARE PARTS

The following table lists the recommended spare part to have on hand.

TABLE 17 - Recommended Spare Parts

Part	Chart, Inc. Part Number	Quantity
Line Relief Valve 550 psig (37.9 bar)	1812702	2
Solenoid Valve Piston Assy	10963062	1
Relay (Gray)	10878028	1
Relay (Tan)	11482121	1
Fuse (5 Amp)	AAA0204	2
Fuse (10 Amp)	AAA0205	2
Laser-Cyl Relief Valve	11030264	1
Laser-Cyl Relief Disc	11023056	1
Pressure Transmitter	11043743	1
Differential Pressure Transmitter	11043751	1

APPENDIX

FAILURE CHECK LIST

Record **TRIFECTA** size and serial number

Record sensor error from **TRIFECTA** PLC readout

BULK TANK DATA

TANK SIZE	_____	GALLONS
GAS SERVICE	_____	
LIQUID LEVEL (GAUGE)	_____	IN. H ₂ O
PRESSURE (GAUGE)	_____	PSIG
PRESSURE (MENU)	_____	PSIG
VOLTAGE @ U-5	_____	VOLTS

TANK # 1

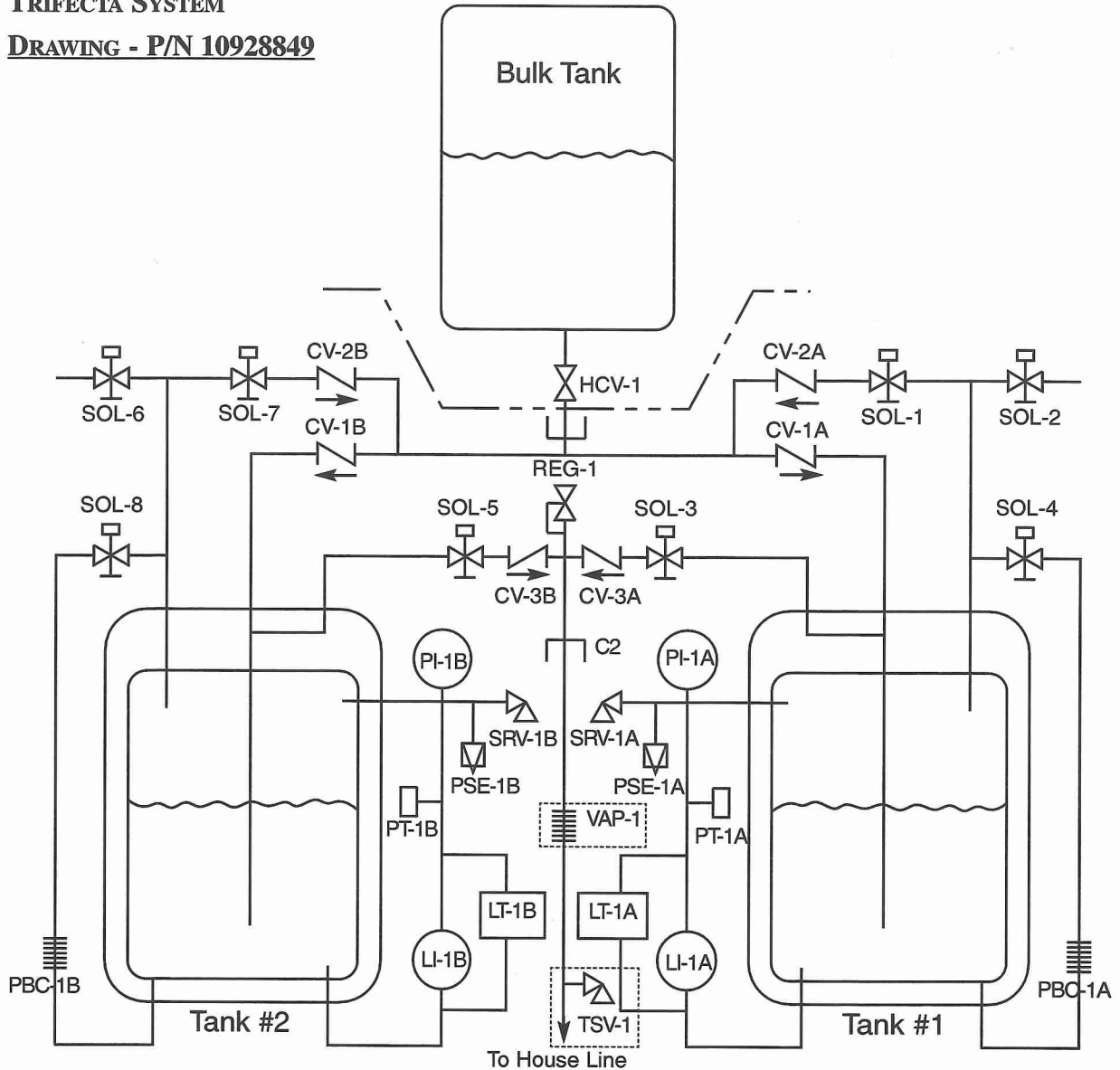
PRESSURE (GAUGE)	_____	PSIG
PRESSURE (MENU)	_____	PSIG
VOLTAGE @ U-3	_____	VOLTS
LIQUID LEVEL (GAUGE)	_____	IN. H ₂ O
LIQUID LEVEL (MENU)	_____	IN. H ₂ O
VOLTAGE @ U-1	_____	VOLTS

TANK # 2

PRESSURE (GAUGE)	_____	PSIG
PRESSURE (MENU)	_____	PSIG
VOLTAGE @ U-4	_____	VOLTS
LIQUID LEVEL (GAUGE)	_____	IN. H ₂ O
LIQUID LEVEL (MENU)	_____	IN. H ₂ O
VOLTAGE @ U-2	_____	VOLTS

TRIFECTA SYSTEM

DRAWING - P/N 10928849



NOMENCLATURE			
CV-1A	Check Valve, Liquid Fill, Tank 1	SOL-4	Solenoid Valve, PB Tank 1
CV-2A	Check Valve, Vent to Bulk, Tank 1	SOL-5	Solenoid Valve, Gas Use Tank 2
CV-3A	Check Valve, Gas Use, Tank 1	SOL-6	Solenoid Valve, Vent to ATM, Tank 2
CV-1B	Check Valve, Liquid Fill, Tank 2	SOL-7	Solenoid Valve, Vent to Bulk Tank 2
CV-2B	Check Valve, Vent to Bulk, Tank 2	SOL-8	Solenoid Valve, PB Tank 2
CV-3B	Check Valve, Gas Use, Tank 2	SRV-1A	Safety Relief Valve, Tank 1
HCV-1	Valve, Bulk Tank, Aux. Liquid	SRV-1B	Safety Relief Valve, Tank 2
LI-1A/B	Level Indicator, Tank 1 / 2	VAP-1	Vaporizer, Customer Supplied
LT-1A/B	Level Transmitter, Tank 1 / 2	C1	Connection, Bulk Tank
PI-1A/B	Pressure Indicator, Tank 1 / 2	C2	Connection, Gas Use
PBC-1A/B	PB Coil, Tank 1 / 2	TSV-1	Thermal Safety Relief, Customer Supplied
PT-1A/B	Pressure Transmitter, Tank 1 / 2	PSE-1A	Rupture Disc Safety Relief, Tank 1
SOL-1	Solenoid Valve, Vent to Bulk, Tank 1	PSE-1B	Rupture Disc Safety Relief, Tank 2
SOL-2	Solenoid Valve, Vent to ATM, Tank 1	REG-1	Back Pressure Regulator
SOL-3	Solenoid Valve, Gas Use Tank 1		



Chart Industries Inc., Storage Systems Division, 3505 County Road 42 West, Burnsville, MN 55306-3803

Web: www.chart-ind.com; E-mail: storagesystems@chart-ind.com

US: 800-400-4683, FAX: 800-232-9683; Worldwide: 952-882-5090; FAX: 952-882-5008

Chart Europe GmbH: +49 (0)212-700 570, FAX: +49 (0)212-700 577; Chart Asia Inc.: 65-838-5209, FAX: 65-235-3680