



# Power Mizer® Series 6000

## Cast Multistage Centrifugal Blowers and Exhausters

### TECHNICAL DATA SHEET



#### Rugged, energy efficient multistage blowers and exhausters

The Power Mizer® Series 6000 employs proven Spencer technology to meet heavy-duty air and gas handling requirements at peak energy efficiency.

Spencer's multistage centrifugal blowers and exhausters have a long track record of performance. The product line can be paired with Spencer's variable frequency drives (VFD), operator interface, a variety of control system options, and blower protection devices for optimum energy efficiency. It is ideal for maximum uptime in demanding environments.

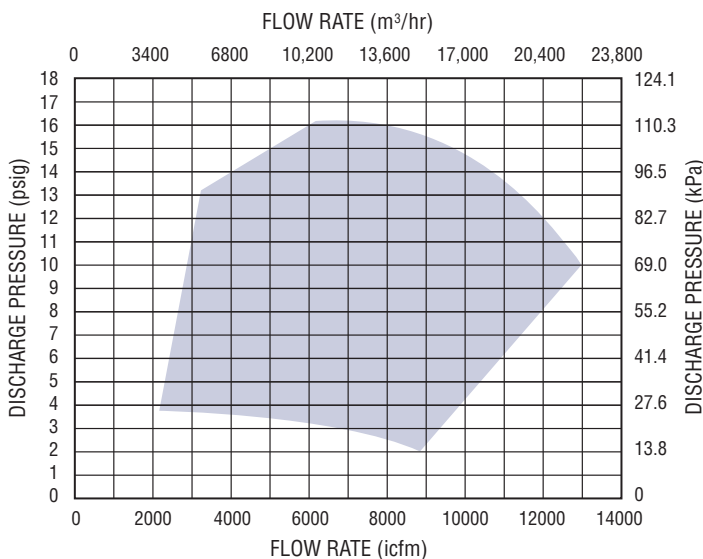
Applications include petrochemical refineries/sulfur recovery; mining/flotation; chemical/combustion air or process air; and municipal and industrial wastewater treatment/aeration.

Spencer's specially engineered aerodynamic components mean smoother, more efficient airflow from blower inlet to discharge. The Power Mizer Series 6000 is a cost-effective solution providing long-term power savings.

#### Performance Range

##### Performance at Standard Density

(Air at 68°F, Relative Humidity of 36%, Inlet Pressure 14.7 psia) 3550 rpm



#### Product Features

##### Technical Data

Number of stages: 2-6
Operating speed: 3550 rpm
Casing design pressure: 25 psig
Inlet connection: 20" (508mm) flange 125lb/150lb ANSI drilled and tapped
Outlet connection: 18" (457mm) flange 125lb/150lb ANSI drilled and tapped
Seals: labyrinth (single and double carbon ring available)
Bearings: 7314-/6314 ball, minimum L10 bearing life of ten years per AFBMA
Lubrication: oil
Drains: 3/8 and 1/2 NPT with plugs
Impeller diameter: 27.5" (699mm)
Impeller tip speed: 426 ft/sec (130 m/sec)
First critical speed: 4350 rpm for maximum stages
Vibration: 0.23 in/sec

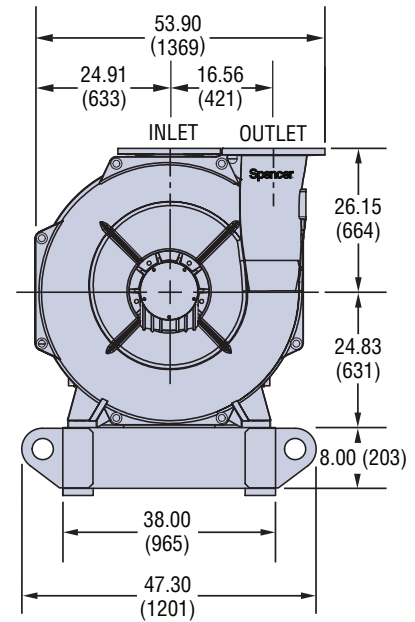
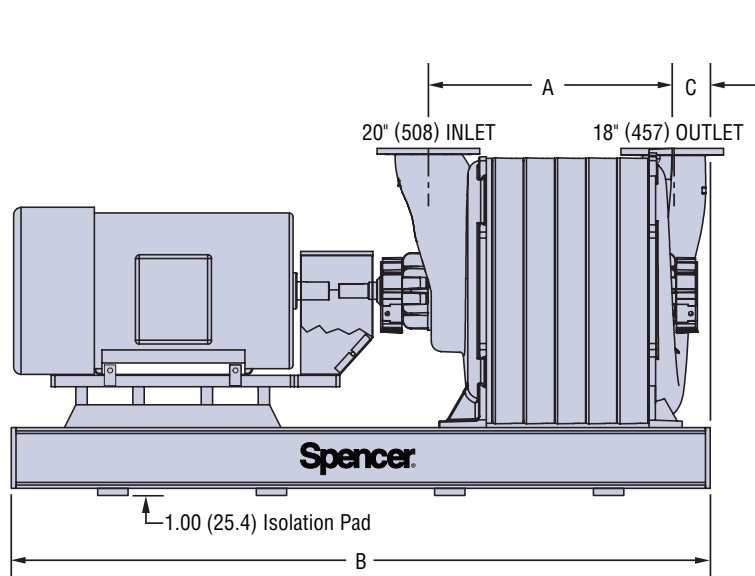
##### Accessories

Full line of standard and custom electrical control panels for packaged systems – UL and CUL Listed available
Dissolved oxygen control system
Flexible sleeve connectors and expansion joints
Filters and silencers
Butterfly valves and check valves

▶ Note: Specifications may vary and change without notice.

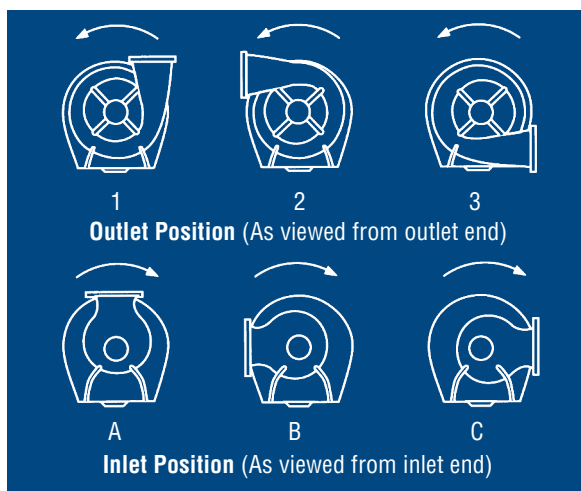
#### Materials of Construction

- Casing and heads: cast iron Class 30
- Tie rods: AISI 1035 carbon steel
- Interstage sealing: silicone rubber
- Shaft: AISI 1144 carbon steel
- Impellers: ASTM A356.0 cast aluminum
- Base: A36 structural steel
- Finish: epoxy primer with urethane topcoat
- Isolation pads: synthetic rubber and cork



Model Number	No. of Stages	Dimensions						Average Weight	
		A		B		C		Blower and Base (without motor)	
		inches	mm	inches	mm	inches	mm	lb	kg
C62	2	34.88	886	96.25	2445	1.75	45	4914	2231
C63	3	42.88	1089	111.25	2826	1.75	45	6064	2753
C64	4	50.88	1292	119.25	3029	1.75	45	6989	3173
C65	5	58.88	1496	135.25	3435	9.75	248	8049	3654
C66	6	66.88	1699	135.25	3435	1.75	45	8926	4052

**Direction of Rotation**



► Spencer may make improvements and dimensional changes to equipment designs based on market trends and requirements.

**For product selection assistance, please email [marketing@spencer-air.com](mailto:marketing@spencer-air.com) or visit our website at [www.spencerturbine.com](http://www.spencerturbine.com) to locate the Spencer representative in your area.**

Power Mizer® is a registered trademark of The Spencer Turbine Company.

The  **Spencer** Turbine Company, 600 Day Hill Road, Windsor, CT 06095 USA

TEL 800-232-4321 ♦ 860-688-8361 ♦ FAX 860-688-0098 ♦ [www.spencerturbine.com](http://www.spencerturbine.com)

