

Design Change Notification

Date: February 4, 2019

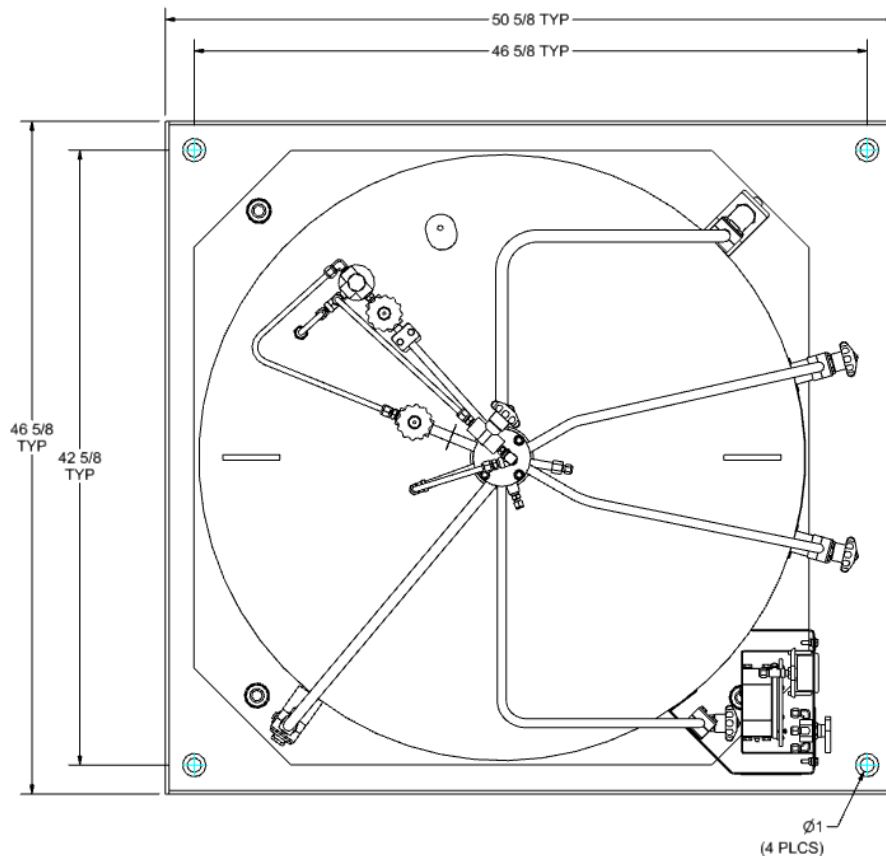
Document #: DCN-121 – Perma-Cyl® MicroBulk Storage Systems

Subject: Perma-Cyl 1000 HP/VHP and Perma-Max 2200HP models now come standard with lab bases.

Products Affected:

Part Number	Description
14157130	STD BTL PERMA-CYL 1000HP PSTR
14157156	STD BTL PERMA-CYL 1000VHP PSTR
20755351	STD BTL PERMA-CYL 1000VHP FF
20814390	STD BTL PERMA-CYL 1000HP FF
20995237	STD BTL PERMA-CYL 1000HP PXC
14556157	SPCL BTL PERMA-CYL 1000HP VJ R
20858365	SPCL BTL PERMA-CYL 1000HP VJ L
21336390	STD BTL PERMA-MAX 2200HP CO2

Description: Beginning in February 2019, Perma-Cyl 1000 HP/VHP and Perma-Max 2200HP models will come standard with a lab base. See dimensions below.



Pictures:



Contact: If you have questions or concerns relative to this action, please contact your Chart Customer Service Representative at (800) 400-4683. Thank you for depending on Chart to provide high product quality and service.