

CRYOGENIC LIQUID CYLINDER

AMBIENT AIR VAPORIZER MODEL D8A-3M



Our Liquid Cylinder Vaporizer
Installs in Minutes.

Liquid Cylinder Vaporizers increase vapor withdrawal rates for any type of Cryogenic Liquid Cylinder.

Our Vaporizers can connect directly to the liquid withdrawal connection to economically boost withdrawal ratings.

The Model D8A-3M will ensure that warm gas is there for your application.

STANDARD FEATURES

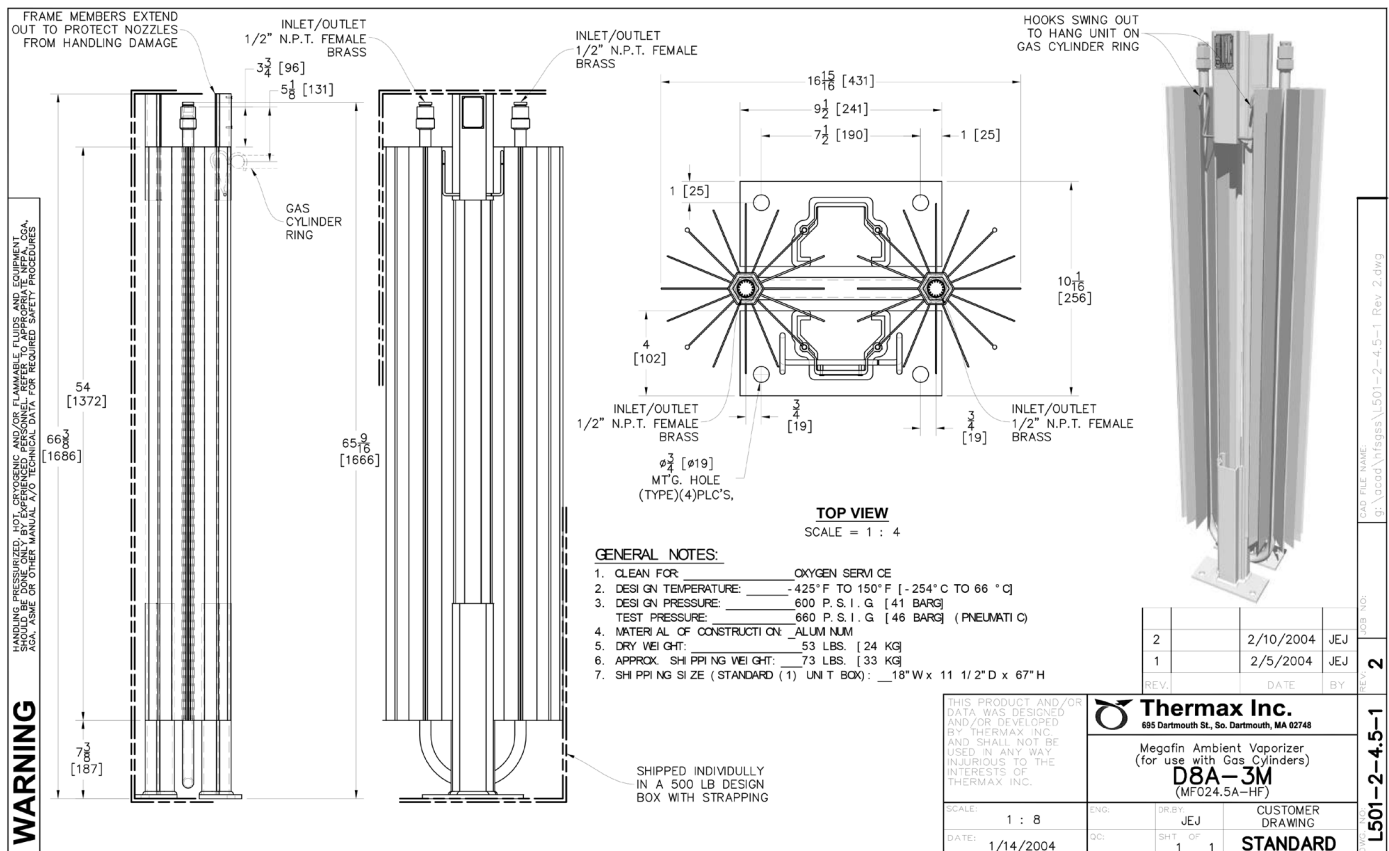
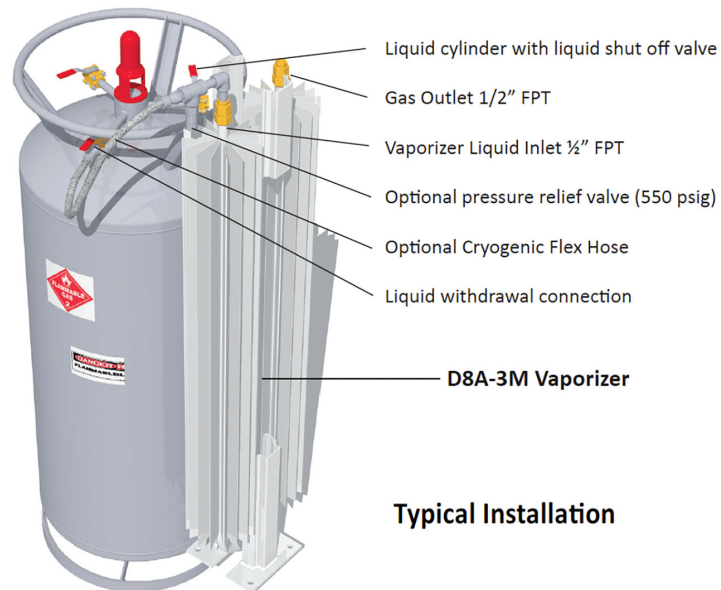
- 1,200 SCFH rating for N₂, O₂, Ar (intermittent service)
- 28 lb/hr rating for CO₂ @ 300 psig (intermittent service)
- Each Unit is cleaned, sealed and tagged for
- Oxygen service
- 600 PSIG MAWP standard
- Compliant with ASME B31.3
- Carries CRN for all Canadian Provinces
- Free Standing or hangs on your cylinder
- Ships fully assembled, tested and ready to use
- In stock and ready to ship

OPTIONS

- Cryogenic Flex Hose & Pressure Relief Valve –see installation kit 11630809 (N₂/Ar) or 11630817 (O₂)
- Stainless Steel Lined

CRYOGENIC LIQUID CYLINDER

AMBIENT AIR VAPORIZER MODEL D8A-3M



Product Datasheet 3.3



Chart Inc.
 U.S. : 1-800-400-4683
 Worldwide: 1-952-243-8800



© 2022 Chart Inc.
 PN 20979880
 www.chartindustries.com