



Spencer Industravac Series BJC with Jet-Clean Separator.

Performance Data

Volume (scfm)	Vacuum (in. Hg)	Motor hp	Catalog Number	Shipping Weight (lb.)
300	8.0	15	SB-715B-MOD-JC	1135
400	6.9	15	SB-615B-MOD-JC	1125
420	4.9	10	SB-410B-MOD-JC	1050
430	8.4	20	SB-720B-MOD-JC	1160
520	5.7	15	SB-515B-MOD-JC	1115
600	4.4	15	SB-415B-MOD-JC	1105
610	6.1	20	SB-620B-MOD-JC	1150

Performance based on 70 °F inlet temperature at sea level.

Materials of Construction

- Casing, separator, base, dirt can: ASTM A1011 hot-rolled steel
- Impellers: 5052-H34 aluminum
- Shaft: AISI-1045 hot-rolled bar steel
- Finish: epoxy primer with Spencer blue urethane topcoat

Product Features

Vacuum Producer

Multistage centrifugal
Standard overhung direct drive
6" tubing upblast exhaust
Average sound pressure level: 83 dBA at 3 ft.
Factory performance tested

Motor

10, 15 or 20 hp, 3500 rpm
208-230/460 or 575 volt, 3 phase, 60 Hz
Open drip-proof
Bearing life: 100,000 hours (L-10)

Separator

Jet-Clean pulse design: 30" diameter
Multiple cartridges: Quantity 8
Filter area: 120 sq. ft.
Filter material: PTFE Spun Bond (Part No. FIL90244)
1" FNPT compressed air connection with pressure gauge
110 volt timer board and NEMA 4 sequencer
Differential pressure gauge
5" x 10" inspection opening with bolt-on cover and gasket
Large, hinged access door
Removable dirt can, cam actuated, capacity: 4½ cu. ft.
Average filtration efficiency: 99.9% at 3 microns
Axial inlets with target plate:
Primary inlet – 5" tubing with sleeve
Secondary inlet – inlet valve
(Part No. VLV90083) for 1½" diameter hose

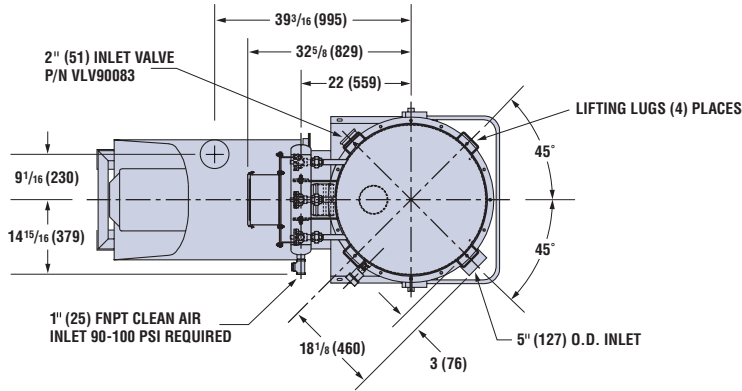
Base

Common frame with mounting pads

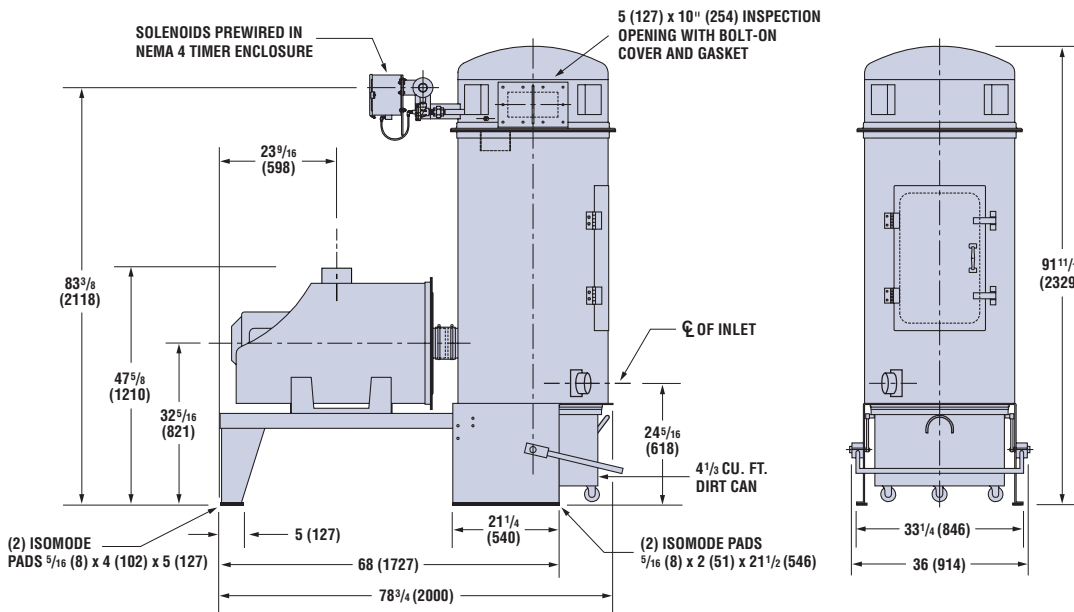
Available Options

TEFC and explosion-proof motors
Special motor voltages
NEMA 4, 7 or 9 starter enclosures
Other filter materials
Dirt can liners (with equalizing line)
Discharge silencer
Discharge throttling valve
Inlet valve (Part No. VLV90100) for 2" diameter hose
Explosion relief vent
Rear primary inlet position
Grounding lug and grounded cartridges
NEMA 7 or 9 sequencers

Dimensions: Shown in inches / (mm)



The large door provides easy access to filter cartridges.




Performance Data	Motor Data	Separator Filter Data
Volume (scfm) _____	hp _____ rpm _____	Area: _____ 120 sq. ft.
Vacuum (in. Hg) _____	Voltage _____	Cartridge Quantity: _____ 8
Discharge Pressure (psia) _____	Phase _____ Hz _____	Part No.: _____ FIL90244
Inlet Temperature (°F) _____	Enclosure _____	Filter Material: _____ PTFE Spun Bond Poly

► Spencer may make improvements and dimensional changes to equipment designs based on market trends and requirements.

For product selection assistance, please email marketing@spencer-air.com or visit our website at www.spencerturbine.com to locate the Spencer representative in your area.

Industravac® and Jet-Clean® are registered trademarks of The Spencer Turbine Company.



The  **Spencer** Turbine Company, 600 Day Hill Road, Windsor, CT 06095 USA

Blowers & Vacuum Systems with an Engineering Edge

TEL 800-232-4321 ♦ 860-688-8361 ♦ FAX 860-688-0098 ♦ www.spencerturbine.com

TDS_297 Copyright ©2014 The Spencer Turbine Company 090814KBA

