

C-Flex™ Vacuum Insulated Transfer Hoses

Super flexible vacuum insulated liquid nitrogen transfer hoses are used in a wide variety of applications including tool connections and custom OEM applications. The coaxial bellowed construction allows for optimal flexibility. The use of lightweight stainless steel reduces cool-down loss to an absolute minimum. C-Flex hoses are protected by a stainless steel spiral wrap or a braided outer cover.

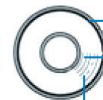
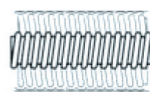
Available in various sizes: ¼" ID, ⅜" ID, and ½" ID stocked in standard lengths for immediate availability.



C-Flex™

Features

- **Custom Manifolds Available** – utilize vacuum insulated tees, elbows, bayonets, and valves to custom tailor the configuration (Consult factory)
- **High Pressure Requirements** – optional inner braid for higher pressure applications (Consult factory)
- **Pre-evacuated and Sealed Vacuum** – no pump maintenance to maintain system vacuum
- **Minimal Cool Down & Steady State Losses** – compared to standard non-insulated transfer hoses
- **Integrated pump out**



- Protective outer covering
- Convoluted pipe compensates for differential rates of expansion and contraction
- Vacuum annulus with multilayer insulation and chemical getter

Key Benefits

- **Minimize Safety Issues** – eliminate many of the hazards associated with non-insulated hoses
- **Easy Installation & Modifications** – bendable, lightweight, and its plug and play approach facilitates easy installation and allows for on-site layout changes
- **Future Expansion** – any bayonet joint can accommodate expansion due to its bendable nature



C-Flex™ Technical Specifications

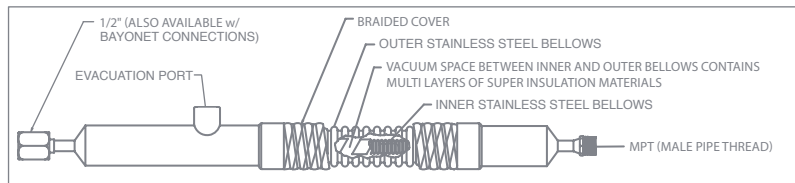
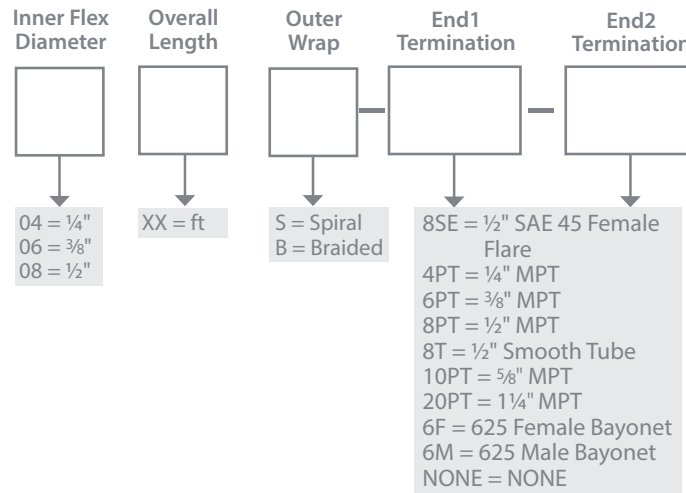
	04S	06S	08S	08B
Inner Diameter (ID)	1/4" (6.3 mm)	3/8" (9.5 mm)	1/2" (12.7 mm)	1/2" (12.7 mm)
Outer Diameter (OD)	1.25" (31.75 mm)	1.65" (41.91 mm)	1.90" (48.26 mm)	1.80" (45.72 mm)
Minimum Flexible Bend Radius	7" (177 mm)	8" (203 mm)	10" (254 mm)	10" (254 mm)
Minimum Static Bend Radius	5" (127 mm)	6" (152 mm)	8" (203 mm)	7" (177 mm)
Maximum Operating Pressure	150 psi (10.3 bar)	150 psi (10.3 bar)	150 psi (10.3 bar)	150 psi (10.3 bar)

S: Spiral wrap outer covering **B:** Braided outer covering
 C-Flex hoses are available in standard or custom lengths up to 60 feet.

Flow Data 22 psi LN₂ Source; 4 psi Pressure Drop (max)

Length (in / ft)	48" / 4'	72" / 6'	96" / 8'	120" / 10'	144" / 12'	192" / 16'	240" / 20'
1/4" Inner Diameter (ID)	1.6 gpm	1.4 gpm	1.2 gpm	1.1 gpm	1 gpm	0.8 gpm	0.7 gpm
3/8" Inner Diameter (ID)	6.0 gpm	4.8 gpm	4.1 gpm	3.6 gpm	3 gpm	2.8 gpm	2.6 gpm
1/2" Inner Diameter (ID)	11.4 gpm	9.0 gpm	7.6 gpm	6.8 gpm	6 gpm	5.2 gpm	4.4 gpm

Smart Numbering System



Your Local Representative



Chart Inc.
 407 7th Street NW • New Prague, MN 56071
 Phone 888.877.3093 • Worldwide 952.758.4484 • Fax 952.758.8293
 www.MVIPpro.com

© 2016 Chart Inc.

PN 14936272