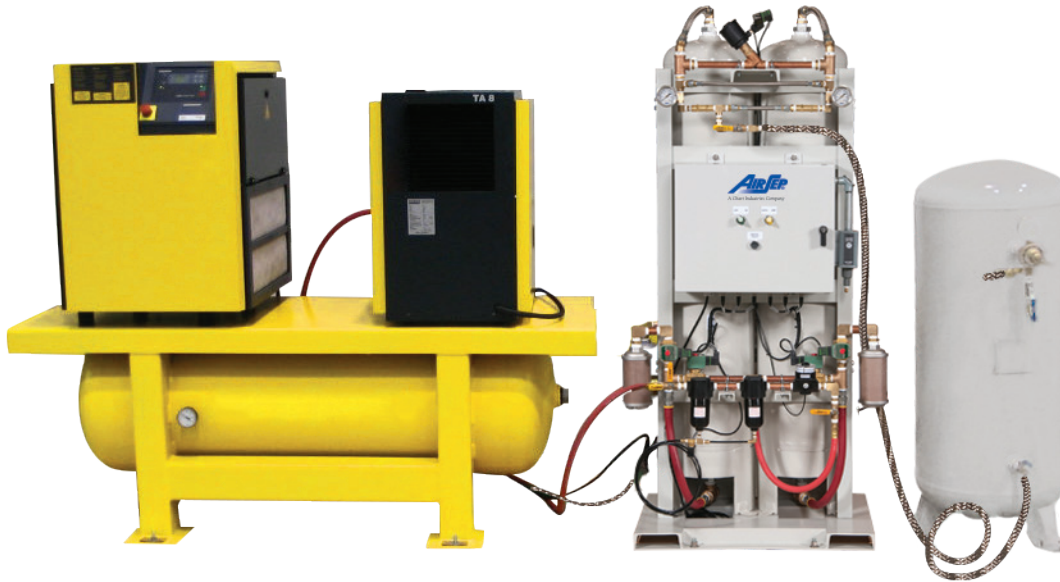
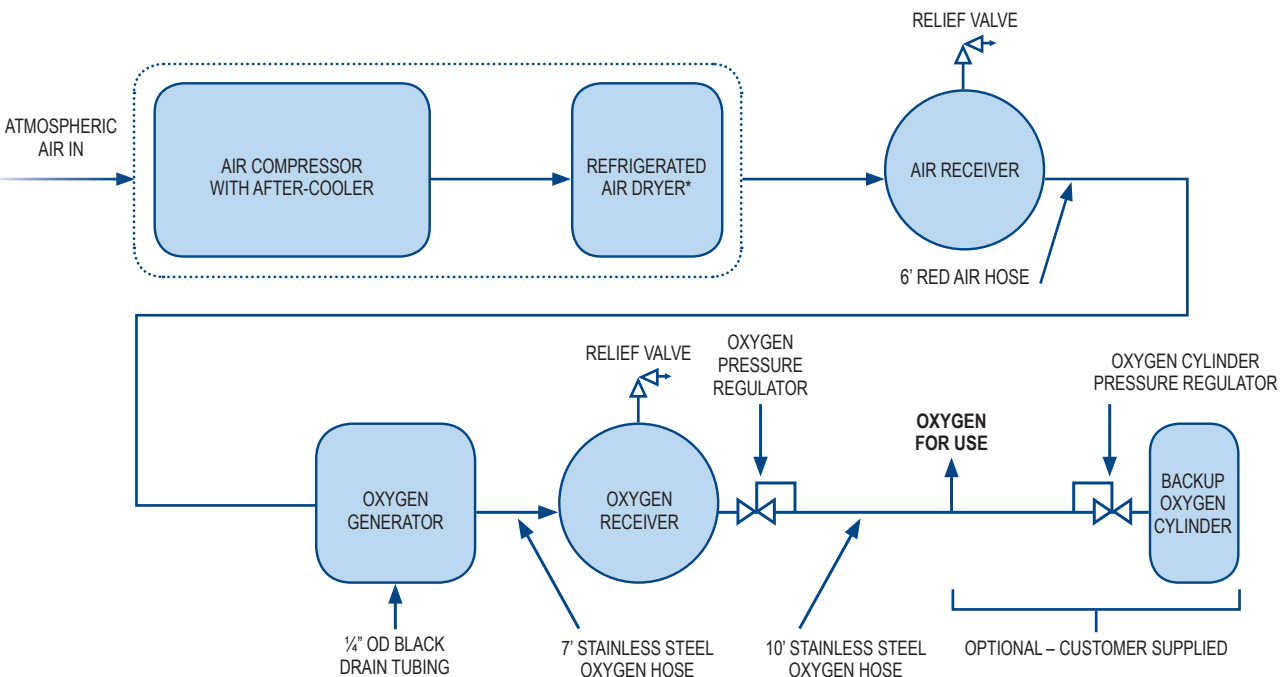


# Typical Layout

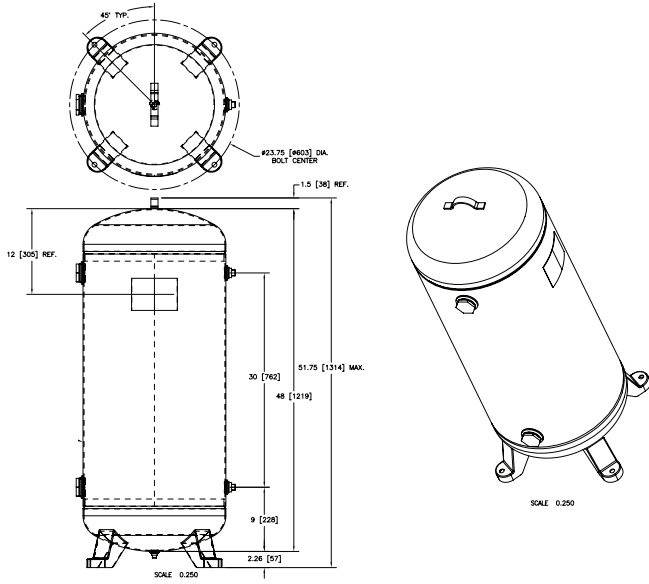


AirSep excels as the leading supplier of PSA oxygen systems — worldwide — offering the most cost-effective, most efficient, and safest oxygen sources for today's diverse oxygen applications. AirSep can package any of the Alpha-Series Standard Generators with a multitude of options and accessories to provide a turnkey solution for just about any oxygen need. AirSep also has several pre-configured Packaged Systems, which are designed to match the most common applications.

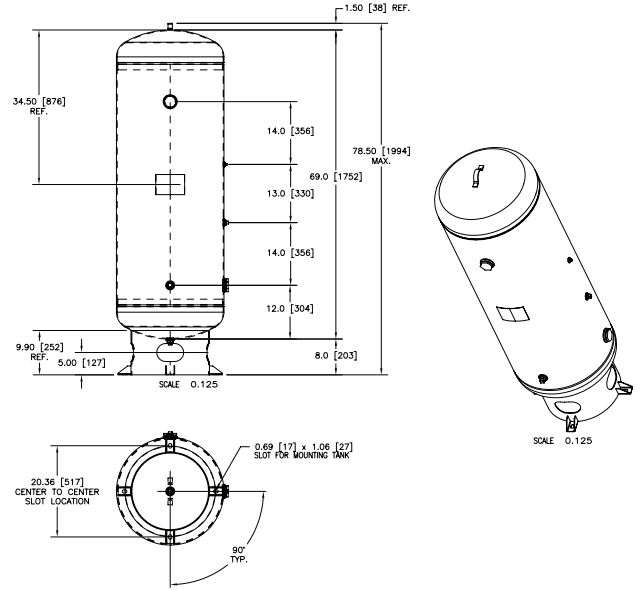
## Model AS-A — AS-L Standard Generator Typical Layout with Optional Cylinder Backup



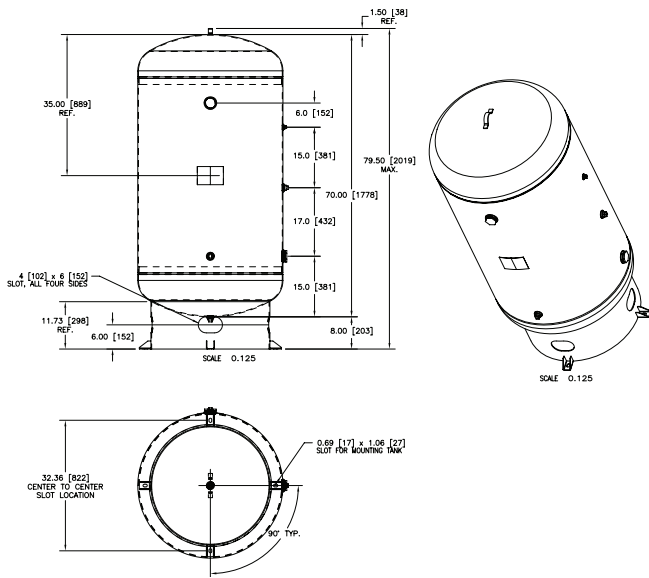
\*This component may or may not be required depending on the ambient site conditions. Contact Factory for air compressor equipment selection assistance.



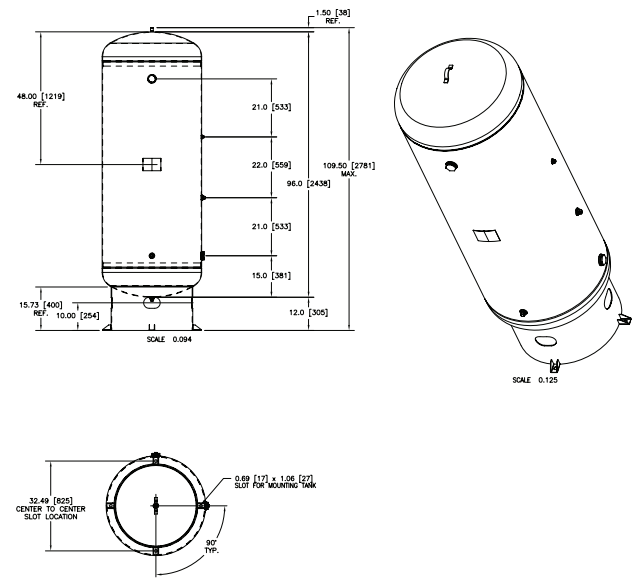
Model AS-A – AS-E Generator 60 Gallon Receiver



Model AS-G and AS-J Generator 120 Gallon Receiver



Model AS-K – AS-L (flows up to 1,199 SCFH) Generator 290 Gallon Receiver



Model AS-L (flows above 1,199 SCFH) Generator 400 Gallon Receiver

Note: All dimensions are nominal.



© 2016 AirSep Corporation. All Rights Reserved.  
 AirSep reserves the right to discontinue its products, or change the prices, materials, equipment, quality, descriptions, specifications and/or processes to its products at any time without prior notice and with no further obligation or consequence. Any rights expressly stated herein are reserved by us, as applicable.



A Chart Industries Company  
 260 Creekside Drive  
 Buffalo, NY 14228-2075 U.S.A.  
 Tel: (716) 691-0202 ■ Fax: (716) 691-1255  
 www.airsepcpd.com ■ info@airsep.com  
 ML-IND0031 B