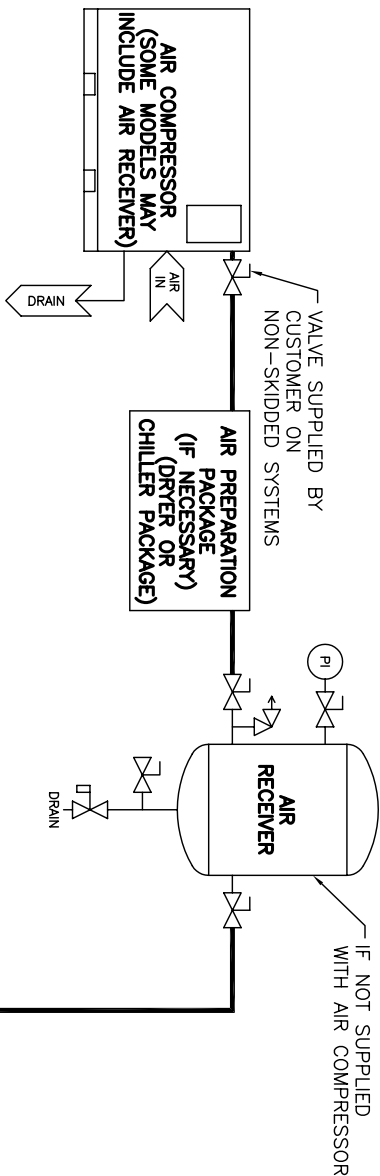


AIRSEP TYPICAL (MEDICAL) SUPPLEMENTAL CYLINDER FILLING PLANT PROCESS & INSTRUMENTATION DIAGRAM (SKIDDED OR NON-SKIDDED)



LEGEND	
	CONDENSATE DRAIN
	MANUAL VALVE
	NEEDLE VALVE
	CHECK VALVE
	PRESSURE REGULATOR
	SAFETY RELIEF VALVE
	SOLENOID VALVE
	PRESSURE INDICATOR
	SLUG
	FILTER ASSEMBLY

—
SUPPLIED BY CUSTOMER ON
NON-SKIDDED SYSTEMS

