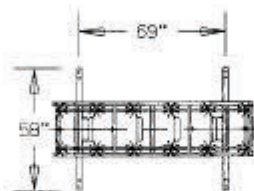
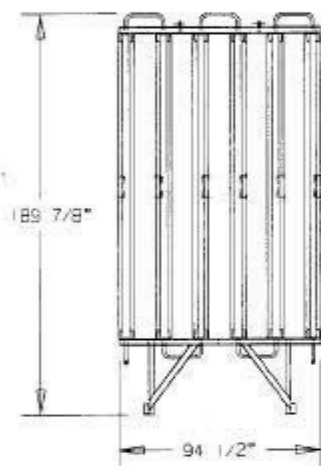




Thermaxin Wide Space™ Ambient Vaporizer Application Data

Long Term Extra Wide Spaced Ambient Vaporizer Module 5,550 and 27,750 SCFH / 1 Week Capacity

MODEL NUMBER 1-LWS 12M & 5-LWS 12M Standard Stock Models

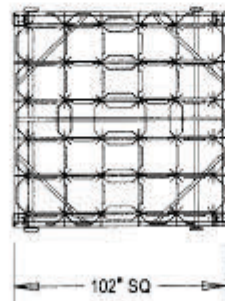
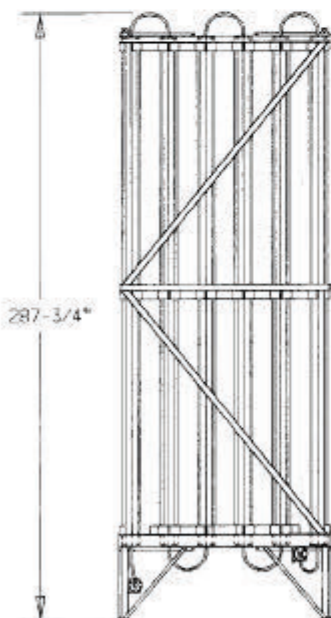


1-LWS 12M

Features Thermax

Rugged Crateless Construction

- 1) Ships 12 units (1-LWS 12 M) per single flat bed without crating
- 2) Ship any quantity crated by common carrier
- 3) Re-shippable on local transport without crate
- 4) Wind load - ANSI A58.1 or UBC 100 mph
- 5) Sismic load - ANSI A58.1 or UBC, zone 4
- 6) Design Temp = -425°F to 100°F
- 7) Designed & Built to ASME/ANSI B31.3



5-LWS 12M

Manufactured under license from Union Carbide Corporation.
Patented: US # 4399660 and corresponding foreign patents

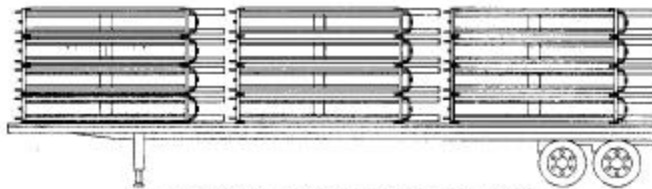
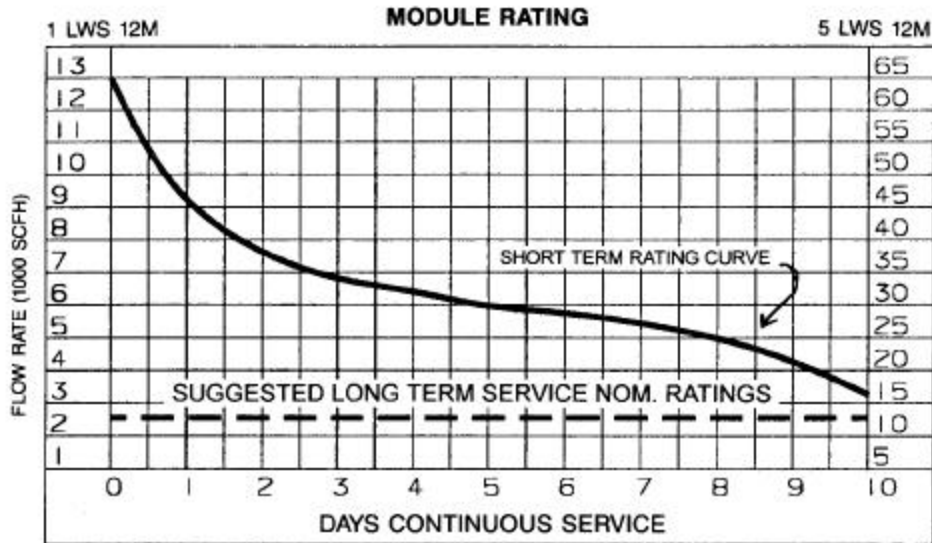
NOTES:

- 1) Design pressure: 450 PSIG
Test pressure: 500 PSIG
- 2) Clean for oxygen service
- 3) Dry Weight: 1-LWS 12M 500 lbs.
5-LWS 12M 2,400 lbs.

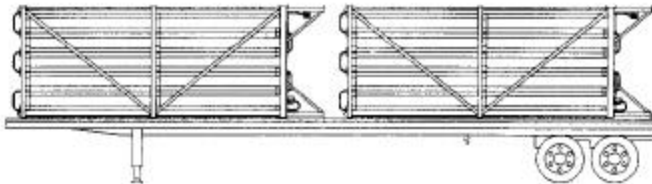
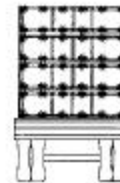
MODULE RATING (THERMAX STANDARDS)*

	1-LWS 12M	5-LWS 12M
ONE HOUR	12,100 SCFH	65,500 SCFH
ONE DAY	8,750 SCFH	43,750 SCFH
ONE WEEK	5,550 SCFH	27,750 SCFH
TWO WEEKS	3,000 SCFH	15,000 SCFH
TOTAL DRAW	800,000 SCFH	4,000,000 SCFH
	without defrost	without defrost

*O₂/N₂/A, H₂ increase 33%, He increase 50%, S.S. models, use 90% x 1 week rate



MODEL NO. 1-LWS-12M (12) PER TRUCK



MODEL NO. 5-LWS-12M (2) PER TRUCK
SHIPPING STRATEGIES FOR LWS-12M MODULES

All the tables shown here are intended as guides reflecting our experience on these models. Actual performance may vary. This product and/or data was designed and developed by Thermax Inc. and shall not be used in any ways injurious to the interests of Thermax Inc.

Thermax Incorporated

TEL: 508 • 999 • 1231

FAX: 508 • 993 • 4036

695 DARTMOUTH ST., SO. DARTMOUTH, MA 02748-3010 U.S.A.

3.6.1/11-99