

## Explosion Proof Electric Vaporizers

*Indirect Heat Source, Liquid Bath, Explosion Proof*

Thermax Inc. Automatic Electric LP/MAPP Gas Vaporizers operate on the principle of maintaining tank pressure during cold weather, or during peak use periods. They are designed for safety: Indirectly Heated Liquid cannot enter customer line.

**PROPANE  
PROPYLENE  
MAPP  
LPG  
NGL**

**Safe, Reliable  
Vaporizers/Pressure Builders  
for all LP &  
Flammable Liquids**

### Standard Features

- ☒ Class 1 Division 2 Grp C&D Rating
- ☒ Field Replaceable Heater
- ☒ Thermostat
- ☒ Pressure Control
- ☒ Control Transformer
- ☒ Pilot Light
- ☒ Contactor and Controller
- ☒ Liquid Reservoir & Filler Cap

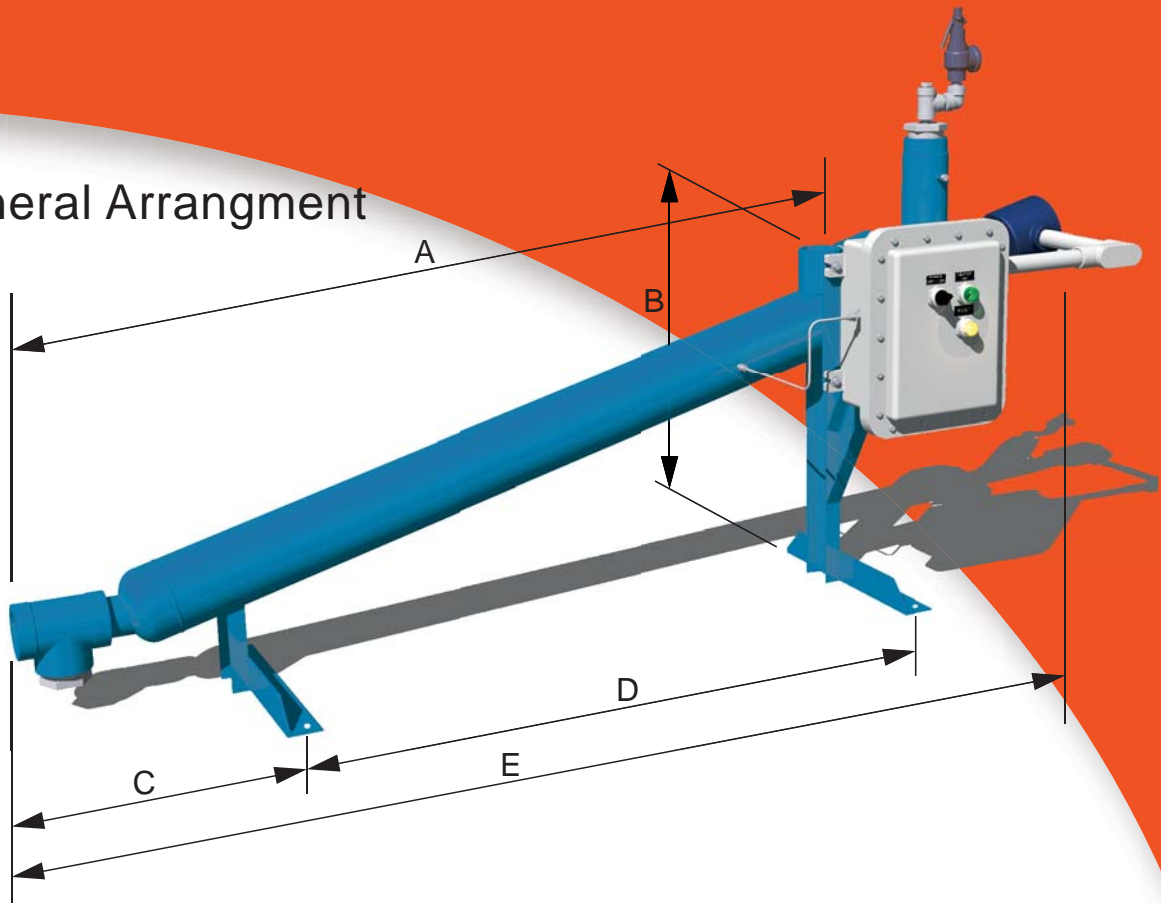


Power Ratings		Amp Draw		Propylene/Propane Rating		Shipping Dimensions	Weight
Model	kW	240V	480V	gal/Hr	lb/hr	L x W x H (feet)	Lbs.
L16-6	6	15	8	25	100	5 x 2 x 3	275
L16-9	9	22	11	37	150	5 x 2 x 3	275
L16-12	12	29	15	48	200	5 x 2 x 3	275
L265-18	18	43	22	75	300	9 x 3 x 4 1/2	450
L265-25	25	60	30	100	400	9 x 3 x 4 1/2	450

Other sizes, ratings, process fluids and voltages available

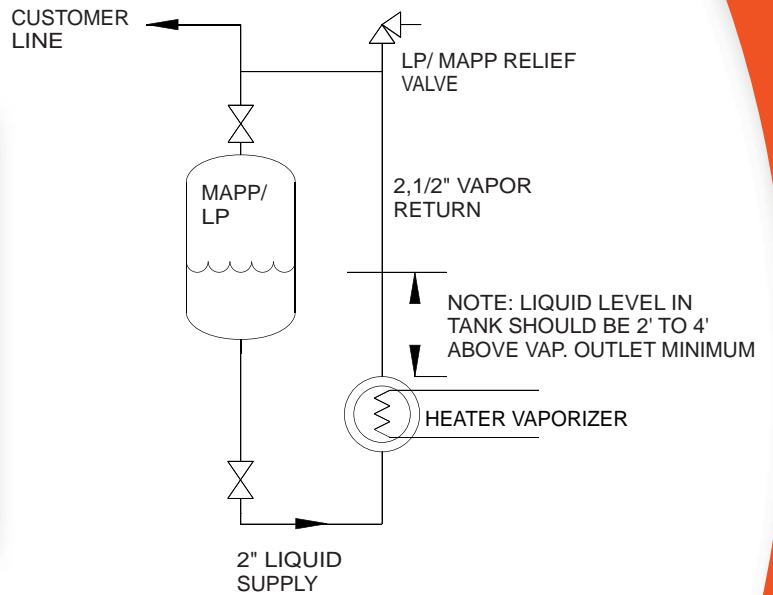
**Explosion Proof Electric Vaporizers**

# General Arrangement



Approx Dimensions (inches)		
	Model L16	Model L265
A	53-3/8	78-1/4
B	25-3/4	32-3/8
C	16	15-3/4
D	29	60-1/2
E	72	100-1/2
F	41-3/4	53-1/2
G	6	6
H	18	23-1/2

## SYSTEM FLOW DIAGRAM



All tables shown on this Datasheet are intended as a guide that reflect our experience on these models. Please call Thermax Inc. for guidance on specific applications. Actual performance may vary. This product and/or data was designed and/or developed by Thermax Inc. and shall not be used in any way injurious to the interests of Thermax Inc. Vortex-Flo™ is a Thermax Inc. trademark.

