

# PSA Nitrogen Generator

# N2-AS-J



AirSep Alpha Series Nitrogen Generators produce from 450 to 44,671 cubic feet of nitrogen per hour at 99.5% nitrogen concentration. When electricity and an adequate source of compressed air is supplied, these dependable machines can provide nitrogen for practically any application and at concentrations up to 99.999% (10 PPM O<sub>2</sub>).

## Features

- Produces nitrogen from an independent compressed air source
- Microprocessor controlled
- Low operating cost with energy efficient programming control options
- Automatic and unattended operation
- Easy to install and maintain
- NEMA 4X Touchscreen control panel with integrated nitrogen concentration monitor

## Typical Applications

### Manufacturing

- Cutting/Brazing/Soldering
- Heat Treatment
- High Pressure Plastic Injection Molding

### Oil & Gas/Power Generation

- Onshore/Offshore Exploration
- Mechanical Gas Seal Inerting
- Enhanced Oil Recovery (EOR)

### Food & Beverage

- Modified Atmosphere Packaging (MAP)
- Nitrogen CO<sub>2</sub> Gas Mix Beer Drafting
- Controlled Atmosphere(CA)/Fruit Storage
- Wine Bottle Capping

### Automotive

- Tire Inflation

### Mining

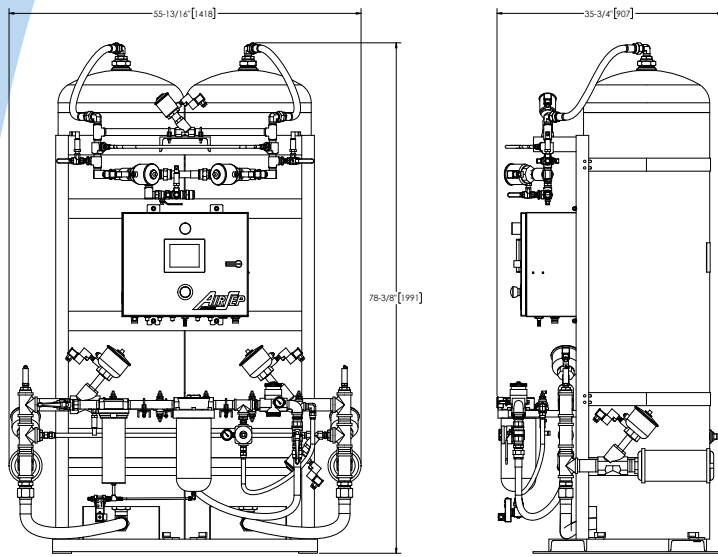
- Control of Lower Explosive Limits (LEL)

## Specifications

Product Flow	3,311 SCFH (87.04 Nm <sup>3</sup> /hr) <sup>1</sup>
Product Pressure	85 – 90 psig (586 – 621 kPa or 5.8 – 6.2 barg) <sup>1</sup>
Product Concentration	99.5%
Product Dew Point	-65°F (-54°C)
Dimensions (W x D x H) (Nominal)	42 x 34 x 78 in (107 x 86 x 198 cm)
Weight	1,771 lb (803 kg)
Physical Connections <sup>2</sup>	
Compressed Air Inlet	1" FNPT
Product Gas Outlet	¾" FNPT
Ambient Operating Conditions	Locate the nitrogen generator in a well-ventilated area that is protected from weather elements and remains between 40°F (4°C) and 104°F (40°C)
Feed Air Requirements	Flow Rate: 145 SCFM (3.81 Nm <sup>3</sup> /min) <sup>1</sup> Clean and Dry "Plant Air" (Class 5.6.4 per ISO 8573.1) Pressure: 109 psig (752 kPa) minimum Temperature: 109°F (43°C) maximum Dew Point: 40°F (4.4°C) maximum
Control Power Requirements (Single Phase)	120 V ~ ±10%, 50/60 Hz, 3.0 A or 220 V ~ ±10%, 50/60 Hz, 1.0 A
Certifications and Approvals	ASME, CSA, UL
<b>400 Gallon Nitrogen Receiver</b>	
Dimensions (Dia. x H)	36 x 103 in (91 x 262 cm)
Weight	600 lb (272 kg)

<sup>1</sup> SCF (Standard cubic foot) gas measured at 1 atmosphere and 70°F / Nm<sup>3</sup> (Normal cubic meter) gas measured at 1 atmosphere and 0°C

<sup>2</sup> Hose and applicable adapters included with optional Factory-supplied accessory kits.



Note: All dimensions are nominal.

### Model N2-AS-J Nitrogen Generator Feed Air Requirement\*

Nitrogen Concentration%	Feed Air Usage**	N2-AS-J
99.99		1,626
99.95		2,161
99.9		2,459
99.5	145 SCFM	3,311
99		3,747
98		4,719
97		5,433
96		6,147
95		6,741

\*\*Time weighted average. Contact Factory for air compressor sizing assistance.  
\* SCF (Standard cubic foot) gas measured at 1 atmosphere and 70°F

## Ordering Information

Model	Part Number	Description	
N2-AS-J	NGAS105-7	With HMI NEMA 4X Touchscreen and nitrogen concentration monitor, 120 V ~ ±10%, 50/60 Hz <sup>1</sup>	
	NGAS105-8	With HMI NEMA 4X Touchscreen and nitrogen concentration monitor, 220 V ~ ±10%, 50/60 Hz <sup>1</sup>	
Required Accessories	TA153-1	400 Gallon Nitrogen Receiver	
Optional Accessories	KI603-1	Accessory Kit (flow control manifold)	
Interconnecting hoses available. Contact Factory for details.			
Shipping Information		N2-AS-J	400 Gallon Nitrogen Receiver
Class		92.5	70
Commodity Classification Number		8421.39.8040	7311.00.0000
Dimensions (W x D x H)		42 x 50 x 86 in (107 x 127 x 218 cm) with Accessory Kit(s), Crated 48 x 89 x 42 in (122 x 226 x 107 cm) Horizontal, Crated 42 x 50 x 86 in (107 x 127 x 218 cm) with Accessory Kit(s) and CE Beds, Crated	40 x 114 x 42 in (102 x 290 x 107 cm)
Gross Weight		2,038 lb (924 kg) with Accessory Kit(s), Crated 2,053 lb (931 kg) Horizontal, Crated 2,207 lb (1,001 kg) with Accessory Kit(s) and CE Beds, Crated	700 lb (318 kg)

### Warranty: 1 Year Parts and Factory Labor\*\*\*

\*\*\* An unprotected or inadequately ventilated environment, or improper control power may cause damage to the nitrogen generator not covered under warranty.

<sup>1</sup> Specify nitrogen flow and pressure at time of order.

All performance ratings based on an ambient temperature up to 100°F (38°C), up to 1,000 feet elevation, and 80% relative humidity.



© 2018 AirSep Corporation. All Rights Reserved.  
AirSep reserves the right to discontinue its products, or change the prices, materials, equipment, quality, descriptions, specifications and/or processes to its products at any time without prior notice and with no further obligation or consequence. Any rights expressly stated herein are reserved by us, as applicable.



260 Creekside Drive  
Buffalo, NY 14228-2075 U.S.A.  
Tel: (716) 691-0202 ■ Fax: (716) 691-1255  
www.airsepcpd.com ■ info@airsep.com  
ML-IND0041 A