

Hi, just a reminder that you're receiving this email because you have expressed an interest in Chart Industries. Don't forget to add taylor.erwin@chartindustries.com to your address book so we'll be sure to land in your inbox!

You may [unsubscribe](#) if you no longer wish to receive our emails.



MVE Chart Tech Tips

In This Issue

[Product Information](#)
[Helpful Hints / FAQs](#)
[Accessories](#)

PDF Version

To view Tech Tips in PDF,
[click here.](#)

Join Our List

[Join Our Mailing List!](#)

October 2013

PRODUCT INFORMATION

Chart MVE 1842P-150 Cryogenic Storage Tanks

Chart MVE Stock Series tanks are primarily designed for storage of either vials or straws on canes in liquid nitrogen. The tanks are built for long life, durability in service and ergonomic sample retrieval, all of vital importance for this type of storage environment. The rotating sample tray in the 1842P-150 allows for maximum storage space and easy convenient access. All MVE Stock units are built with an emphasis on sample security and the ability to provide safe long-term storage for your valuable samples. Contact Chart for product details and information.



MVE Shipping Containers

Chart MVE offers shipping containers for its various vapor shippers. Shipping container dimensions are provided below for reference.

PN: 9719449

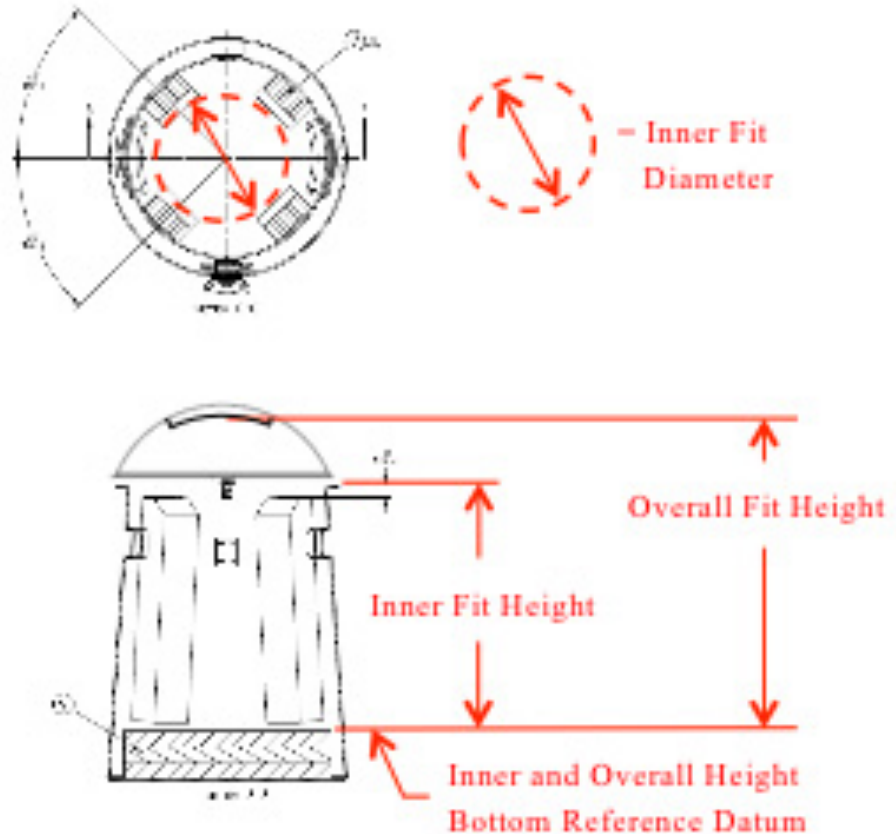
Inner Fit Diameter: 8.2 " / 20.83 cm

Outer Diameter: 15.0 " / 38.1 cm

Inner Fit Height: 15.4" / 39.12 cm

Overall Fit Height: 20.6" / 52.32 cm

Approximate Weight: 14 lbs / 6.35 kg



PN: 9719449

PN: 9722149

Inner Fit Diameter: 14.5" / 36.83 cm

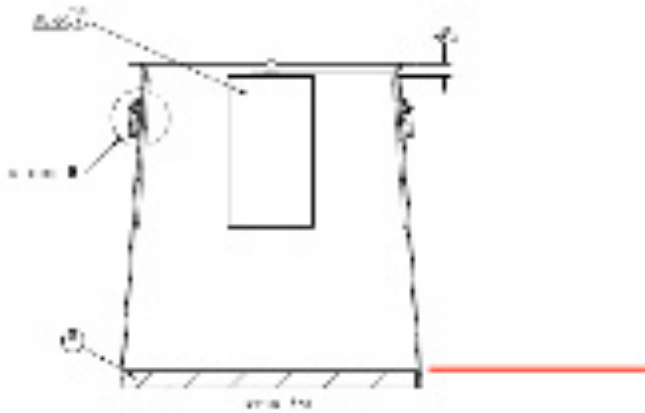
Outer Diameter: 18.0" / 45.72 cm

Inner Fit Height: 18.3" / 46.48 cm

Overall Fit Height: 23.6" / 59.94 cm

Approximate Weight: 15 lbs / 6.80 kg





PN: 9722149

PN: 11925105

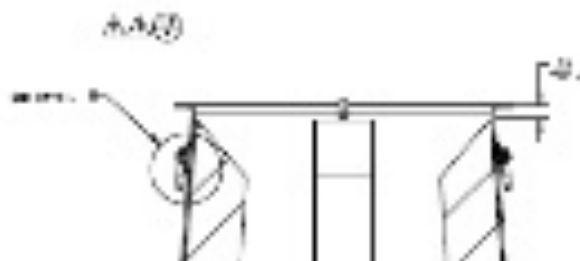
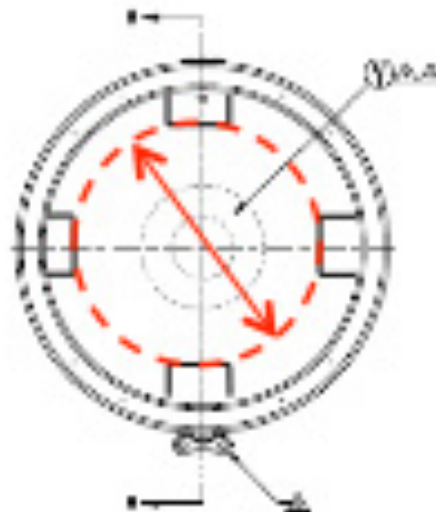
Inner Fit Diameter: 9.53" / 24.21 cm

Outer Diameter: 18.0" / 45.72 cm

Inner Fit Height: 18.3" / 46.48 cm

Overall Fit Height: 23.6" / 59.94 cm

Approximate Weight: 15 lbs / 6.80 kg





PN: 11925105

PN: 10537506

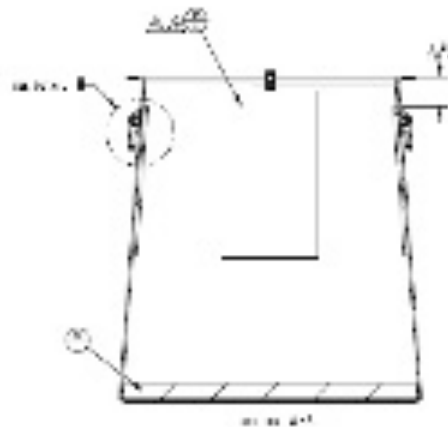
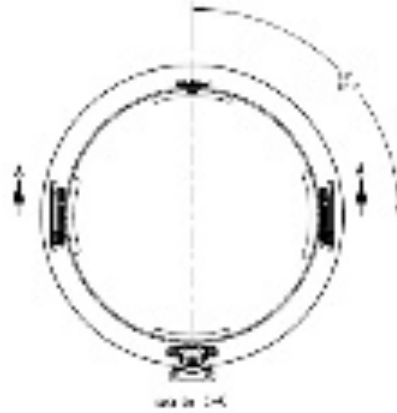
Inner Fit Diameter: 14.5" / 36.83 cm

Outer Diameter: 18.0" / 45.72 cm

Inner Fit Height: 18.3" / 46.48 cm

Overall Fit Height: 23.6" / 59.94 cm

Approximate Weight: 15 lbs / 6.80 kg



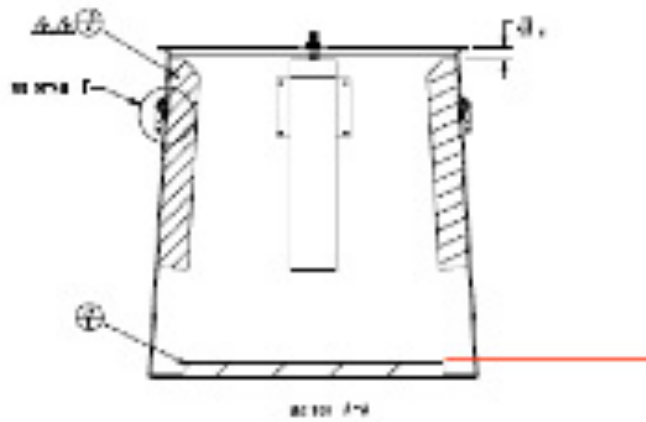
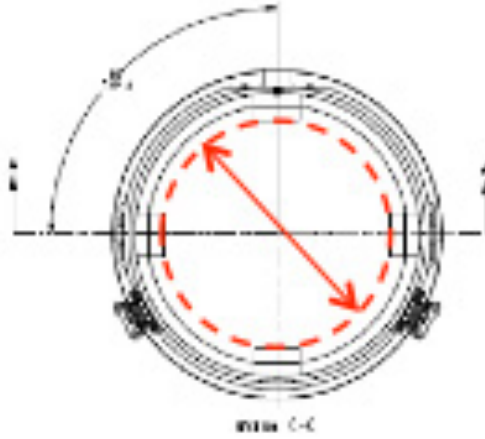
PN: 10537506

PN: 11912460

Inner Fit Diameter: 15.2" / 38.61 cm

Outer Diameter: 22.1" / 56.13 cm

Outer Diameter: 22.1" / 56.13 cm
 Inner Fit Height: 21.1" / 53.59 cm
 Overall Fit Height: 26.5" / 67.31
 Approximate Weight: 23 lbs / 10.43 kg



PN: 11912460

PN: 10741726
 Inner Fit Diameter: 15.2" / 38.61 cm
 Outer Diameter: 22.1" / 56.31 cm
 Inner Fit Height: 20.1" / 51.05 cm
 Overall Fit Height: 25.5" / 64.77 cm
 Approximate Weight: 23 lbs / 10.43 kg

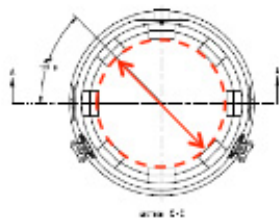
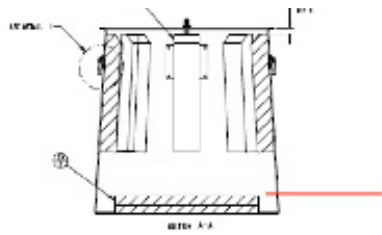


FIG. 1



PN: 104741726

PN: 14035731

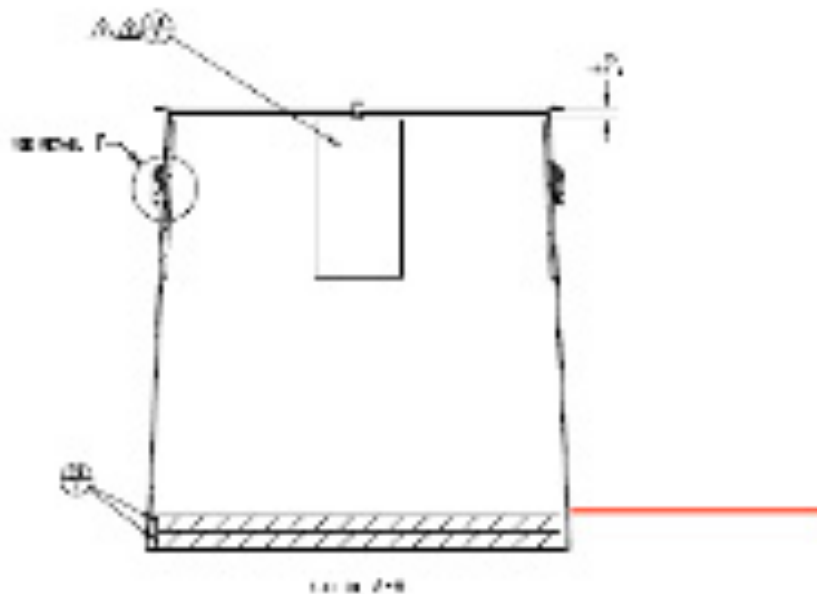
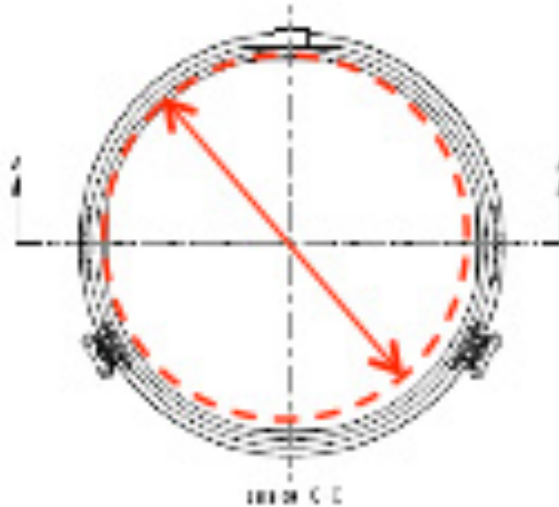
Inner Fit Diameter: 21.0" / 53.34 cm

Outer Diameter: 24.1" / 61.21 cm

Inner Fit Height: 23.3" / 59.18 cm

Overall Fit Height: 27.6" / 70.10 cm

Approximate Weight: 23 lbs / 10.43 kg



HELPFUL HINTS / FAQs

Manual Discharge Device Operation

Q: How long does it take for the manual discharge device to build pressure?

A: Depending on atmospheric conditions, the manual discharge device could take anywhere from two to four hours to build to 0.3 bars (5psi). The manual discharge device operates using heat transfer down the dip tube. The nozzle is exposed to the ambient room temperature, which is much warmer than the liquid nitrogen in the lab unit. This heat conducts down to the dip tube which is in contact with the liquid nitrogen. The heat conducted down the dip tube, causes the liquid to boil, which builds pressure inside the unit. When the discharge device is installed correctly (properly seated, vent valve closed), the head pressure pushes down on the surface of the liquid nitrogen in the unit, forcing liquid up the dip tube to be discharged from the nozzle. A warm full dewar will build pressure more quickly.

Installing the Liquid Discharge Device

Q: How does one install the discharge device?

A: To install the discharge device, first fill the Lab unit to its approximate liquid capacity. Next, slowly insert the discharge device allowing it to rest on the neck for about 30 seconds and cool to LN2 temperature. Slowly tighten the wing nut and allow the discharge device to build pressure to 0.3 bars (5psi). The discharge device is now ready for use.

TEC 3000 Upgrade Kits

When ordering a TEC 3000 Upgrade Kit, please be sure to have the serial number of the freezer to be upgraded in-hand. This will ensure that the proper upgrade is provided.

Important Note: When installing TEC 2000 to TEC 3000 upgrades, always use the new Jerome power supply included in the kit. The previous Lakeshore, Jerome, and MDC power supplies will not function properly with the TEC 3000 and must be replaced with the provided Jerome power supply.

If you have any questions or concerns, please contact Technical Service.

ACCESSORIES

Temperature Probe for Chart Freezers

The Chart temperature probe may be ordered using PN 20570663.



Temperature Probe
Being Removed from a
High-Efficiency Freezer

Liquid Level Measuring Tool for Freezers

The Chart Liquid Level Measuring Tool may be ordered using PN 20561020.

Upcoming Events

Trade Shows

We will be present at the following trade shows and would love to see you at our booth!

**World Dairy Expo
October 1st-5th
Madison, WI
Booth #226, 227**

ESBB
8th-11th October
Verona, Italy
Platinum Sponsor in Booth Location #1

AABB
October 12th-15th
Denver, CO
Booth #2024

ASRM
October 13th-16th
Boston, MA
Booth #901

Contact Us

For ordering information contact Customer Service

United Kingdom	+44 (0) 1189 367060
France	+33 (0) 05 61 42 94 11
Germany	+49 (0) 202 739 55429
Italy	+39 049 784 0142 customerservice.europe@chartindustries .com
Australia/New Zealand	+61 2 9749 4333 customerservice.australia@chartindustries.com
Asia/Pac Rim	770.721.7759 csasia@chartindustries.com
The Americas	770.721.7759
US Toll Free	800.482.2473 customerservice.usa@chartindustries.com

For technical information contact Technical Service:

United Kingdom	+44 (0) 1189 367060
France	+33 (0) 05 61 42 94 11
Germany	+49 (0) 202 739 55407
Italy	+39 049 644 498 techservice.europe@chartindustries.com
Asia/Pac Rim	+61 2 9749 4333 techservice.asia@chartindustries.com
The Americas	770.721.7759 techservice.usa@chartindustries.com
US Toll Free	800.482.2473 techservice.usa@chartindustries.com

[Forward email](#)



Try it FREE today.

This email was sent to snystrom@sequal.com by taylor.erwin@chartindustries.com | [Update Profile/Email Address](#) | Instant removal with [SafeUnsubscribe™](#) | [Privacy Policy](#).

Chart Industries | 2200 Airport Industrial Dr. | Ste. 500 | Ball Ground | GA | 30107