

Hi, just a reminder that you're receiving this email because you have expressed an interest in Chart Industries. Don't forget to add [taylor.erwin@chartindustries.com](mailto:taylor.erwin@chartindustries.com) to your address book so we'll be sure to land in your inbox!

You may [unsubscribe](#) if you no longer wish to receive our emails.



## MVE Chart Tech Tips

July 2013

In This Issue

[Product Information](#)  
[Helpful Hints / FAQs](#)  
[Accessories](#)

PDF Version

To view Tech Tips in PDF, [click here.](#)

Join Our List

[Join Our Mailing List!](#)

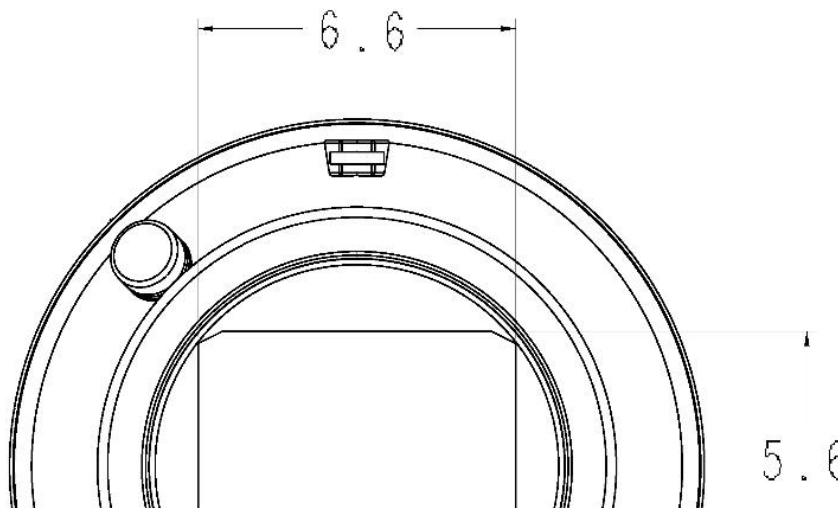
### PRODUCT INFORMATION

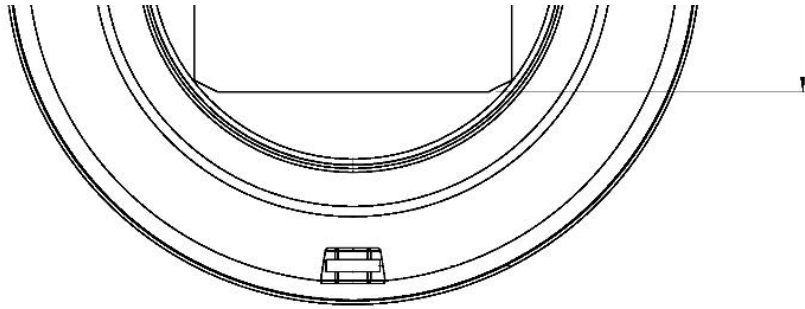
#### MVE Repair/Refurbishment Program-2013

Chart has updated its repair program for aluminum dewars and stainless freezers. The repair program allows you to choose the level of inspection/repair you would like for your unit. [Click here](#) to access more information about this program. To request pricing or further details, please contact your distributor or local Chart MVE representative.

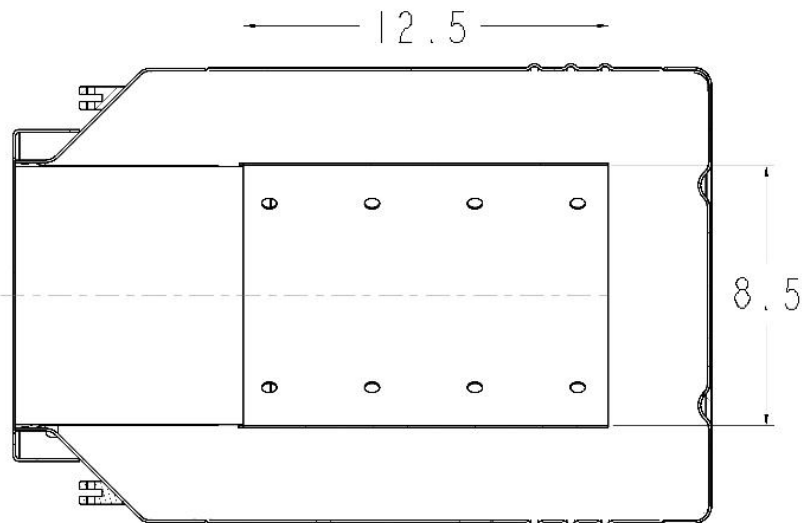
#### CryoShipper Dimensions

The CryoShipper and CryoShipper XC have different inner configurations. The CryoShipper inner assembly is rectangular in shape and measures 5.6" (142 mm) by 6.6" (167 mm), with a usable height of 11.0" (279 mm).





The CryoShipper XC has a cylindrical inner assembly. The inner assembly of the CryoShipper XC has a diameter of 8.5" (25 mm) and a usable height of 12.5" (317 mm).



## HELPFUL HINTS / FAQs

### Lab 20 Part Numbers

Q: I have a Lab 20 and need to purchase a Manual Discharge device. What part number should I use?





A: The Lab 20 has two different neck diameters that are dependent upon the age of the dewar. Chart recommends that you measure the inner diameter of the neck in order to determine which style of discharge device is correct for your dewar. The older Lab 20 (manufactured prior to May 2007) has an inner neck diameter of 2.0" (51 mm), while the newer style has an inner neck diameter of 2.18" (56 mm).

Accessory	Older: 2.0" (51mm) neck	Newer: 2.18" (56mm) neck
Cork/Cover	10580475	13808658
Discharge Device	13490811	13484139
Pour Spout	9711909	9720729



Q: I have an older style Lab 20 and discharge device and would like to purchase a new Lab 20 dewar. Can I use my old discharge device on the new Lab 20?

A: If you purchase a new Lab 20 with the larger neck opening of 2.18" (56mm), the old manual discharge device can be upgraded to the new diameter by using the Discharge Device Upgrade Kit. This kit includes a washer, larger rubber plug, and bolt assembly and can be ordered using PN #13717369.

## ACCESSORIES

### MVE Freezer Series Optional Vapor Platforms

Chart offers optional vapor platforms for the MVE Series. When ordering, please keep in mind that vapor platforms occupy approximately 4 to 5 inches of the freezer's usable space, which may affect the necessary rack size.

Freezer	Vapor Platform Part Number
MVE 205	10544837
MVE 510	10544853
MVE 616 and MVE 616 Cabinet Series	11509726
MVE 1426 and MVE 1426 Cabinet Series	10544888
MVE 1839	10544909

\*Note: Using the optional vapor platform with open top freezers will increase nitrogen consumption. However, High Efficiency freezers are designed specifically for vapor storage and provide the lowest nitrogen consumption rate and the most stable temperature profile well below the glass transition temperature of water (-135°C).

### Upcoming Events

#### Trade Shows

We will be present at the following trade shows and would love to see you at our booth!

**ESHRE**  
**July 7-10**  
**London, UK**  
**Stand A24**

### Contact Us

For ordering information contact Customer Service

United Kingdom +44 (0) 1480 267060

United Kingdom	+44 (0) 1189 367060
France	+33 (0) 05 61 42 94 11
Germany	+49 (0) 202 739 55429
Italy	+39 049 784 0142
	customerservice.europe@chartindustries .com
Australia/New Zealand	+61 2 9749 4333
	customerservice.australia@chartindustries.com
Asia/Pac Rim	770.721.7759
	csasia@chartindustries.com
The Americas	770.721.7759
US Toll Free	800.482.2473
	customerservice.usa@chartindustries.com

For technical information contact Technical Service:

United Kingdom	+44 (0) 1189 367060
France	+33 (0) 05 61 42 94 11
Germany	+49 (0) 202 739 55407
Italy	+39 049 644 498
	techservice.europe@chartindustries.com
Asia/Pac Rim	+61 2 9749 4333
	techservice.asia@chartindustries.com
The Americas	770.721.7759
	techservice.usa@chartindustries.com
US Toll Free	800.482.2473
	techservice.usa@chartindustries.com

[Forward email](#)



Try it FREE today.

This email was sent to snystrom@sequal.com by [taylor.erwin@chartindustries.com](mailto:taylor.erwin@chartindustries.com) | [Update Profile/Email Address](#) | Instant removal with [SafeUnsubscribe™](#) | [Privacy Policy](#).

Chart Industries | 2200 Airport Industrial Dr. | Ste. 500 | Ball Ground | GA | 30107