

HT SERIES

FULL EN 13458

**Horizontal Cryogenic
Storage Tanks for
Atmospheric Gases and LNG**

HT series of cryogenic tanks designed in accordance with the requirements for safe, easy and economical operation. They have standard features along with pre-engineered options sure to satisfy all of your requirements.

HT series tanks are horizontal stationary, pressure vessels with perlite insulation for long term storage of cryogenic liquefied gases under pressure.

- in accordance with EN 13458 and conforming to directive 2014/68/EU
- modular plumbing (e.g. fill cluster)
- saddles design
- easy lifting and low cost erection using a single crane

Horizontal benefits

low profile to meet your height restrictions
eliminates seismic and meteorological concerns

HT series are available in capacities from 3,000 to 60,000 liters with pressures of 18, 22 and 37 bar.

- stainless steel inner vessel and piping
- piping module designed for easy-of-access to all operational control valves with stainless steel interconnecting piping to minimize the number of connections, reducing maintenance and cost of ownership
- bolted bonnet globe valves with stainless steel bodies
- easily accesible relief valves with outlets directed away from the operating area
- high performace safety sytem with dual relief valves and rupture disks supplied as a standard
- with durable environmentally friendly coating for industrial standards



Chart Vacuum Technology®

Providing the best insulation system to protect your valuable gases from harsh ambient conditions results in lower pressure rise and lower losses, yielding better gas utilization. Chart Vacuum Technology® is at the core of why Chart is recognized around the world as the premier supplier of cryogenic equipment.



Chart Industries Group D&S

Chart Ferox, a.s. • Ústecká 30 • CZ-405 30 • Děčín 5
Tel.: +420 412 507 111 • Fax: +420 412 510 200

EN/100007/15AUGUST HT 2016 © Chart Ferox, a.s. All Rights Reserved

ferox-sales@chartindustries.com
www.chart-ferox.com

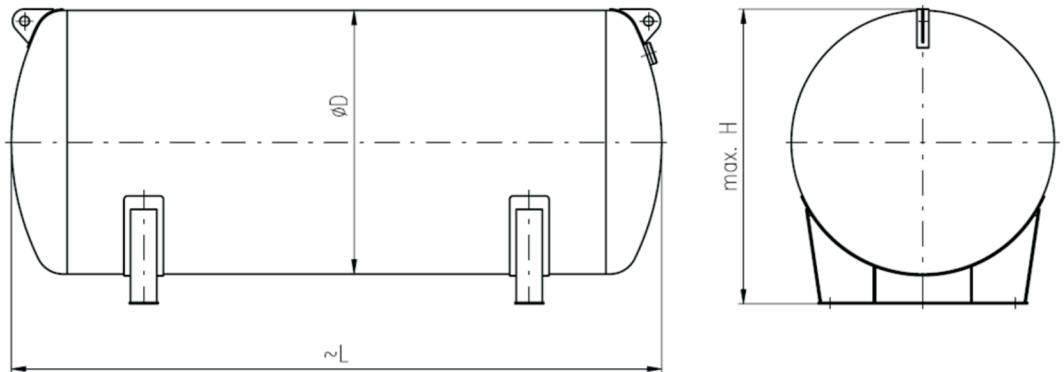
HT SERIES

FULL EN 13458

Specifications

MODEL	Gross Volume	NET Volume 95% filling	Outer Diameter & Width	LIN Storage 95% filling	LOX Storage 95% filling	LAR Storage 95% filling	LCO ₂ Storage 95% filling	LN ₂ O Storage 95% filling	Empty Weight 18bar	Empty Weight 22bar	Empty Weight 37bar	Height H	Length L
HT	[Liter]	[Liter]	[mm]	[Kg]	[Kg]	[Kg]	[Kg]	[Kg]	[Kg]	[Kg]	[Kg]	[mm]	[mm]
HT 3	3 420	3 249	1 800	2 630	3 720	4 570	3 600	3 440	3 090	3 200	3 630	2 060	3 288
HT 6	6 150	5 843	1 800	4 730	6 680	8 220	6 460	6 170	4 430	4 600	5 260	2 060	5 119
HT 9	8 870	8 427	1 800	6 810	9 630	11 850	9 320	8 900	5 860	6 090	6 980	2 060	6 950
HT 11	10 810	10 270	2 100	8 300	11 730	14 440	11 360	10 850	6 390	6 670	7 770	2 360	5 729
HT 16	15 530	14 754	2 100	11 930	16 850	20 740	16 310	15 580	8 260	8 640	10 130	2 360	7 730
HT 21	20 250	19 238	2 100	15 550	21 970	27 040	21 270	20 320	10 110	10 590	12 470	2 360	9 731
HT 25	24 970	23 722	2 100	19 170	27 090	33 350	26 230	25 050	12 100	12 680	14 950	2 360	11 732
HT 20	20 130	19 124	2 500	15 460	21 840	26 880	21 140	20 200	11 710	12 210	14 440	2 760	7 384
HT 26	26 110	24 805	2 500	20 050	28 330	34 870	27 420	26 200	14 150	14 790	17 580	2 760	9 215
HT 31	32 080	30 476	2 500	24 630	34 810	42 840	33 690	32 190	16 590	17 350	20 730	2 760	11 045
HT 37	38 060	36 157	2 500	29 220	41 300	50 820	39 970	38 190	18 980	19 880	23 820	2 760	12 876
HT 43	44 030	41 829	2 500	33 800	47 770	58 790	46 240	44 180	21 420	22 450	26 970	2 760	14 707
HT 32	32 290	30 676	3 000	24 790	35 040	43 120	33 910	32 400	15 750	16 490	20 190	3 260	7 662
HT 41	41 630	39 549	3 000	31 960	45 170	55 590	43 720	41 770	18 830	19 780	24 380	3 260	9 493
HT 50	50 960	48 412	3 000	39 120	55 290	68 050	53 520	51 130	22 000	23 140	28 630	3 260	11 323
HT 60	60 300	57 285	3 000	46 290	65 420	80 520	63 330	60 500	25 150	26 490	32 870	3 260	13 154

BASIC DIMENSIONS



Nomenclature *

- A1** Fill connection
- V1** Bottom fill valve
- V2** Top fill valve
- V28** Valve, fill line drain
- LFD** Liquid outlet (HT3-HT9)
- LI** Level indicator
- PBU** Pressure building vaporizer
- PI** Pressure indicator
- RG1** Pressure control valve / Economizer
- S1** Safety valves, inner vessel
- S2** Vacuum safety valve
- V3** Isolation valve, bottom filling
- V4** Isolation valve, top filling
- V5** Valve, vapor vent, gas outlet
- V6** Valve, trycock
- V9** Valve, external vaporizer
- V12** Vacuum pump down
- V14** Valve, safety relief section
- V22.1** Valve, liquid outlet (HT11-HT60)
- V50** Valve, LI vapor phase
- V51** Valve, LI liquid phase
- V52** Valve, LI equalization

* standard model – not all options shown

