

HTC SERIES

FULL EN 13458

Horizontal Storage
tanks for Carbon Dioxide
and Nitrous Oxide

HTC series of storage tanks designed in accordance with the requirements for safe, easy and economical operation. Many of the features have been incorporated in close collaboration with leading industrial gas companies.

HTC series tanks are horizontal stationary, pressure vessels with perlite insulation for long term storage of liquefied gases like CO₂, N₂O under pressure.

- in accordance with EN 13458 and conforming to directive 2014/68/EU
- saddles design
- easy lifting and low cost erection using a single crane
- fine grain / low temperature carbon steel inner vessel

Horizontal benefits

low profile to meet your height restrictions
eliminates seismic and meteorological concerns

HTC series are available in capacities from 4,000 to 67,000 liters with pressure of 25 bar.

- bolted bonnet globe valves with stainless steel bodies
- easily accesible relief valves with outlets directed away from the operating area
- with durable environmentally friendly coating for industrial standards
- high performance PBU with optional electrical heater as PBU

Chart Vacuum Technology®

Providing the best insulation system to protect your valuable gases from harsh ambient conditions results in lower pressure rise and lower losses, yielding better gas utilization.

Chart Vacuum Technology® is at the core of why Chart is recognized around the world as the premier supplier of cryogenic equipment.



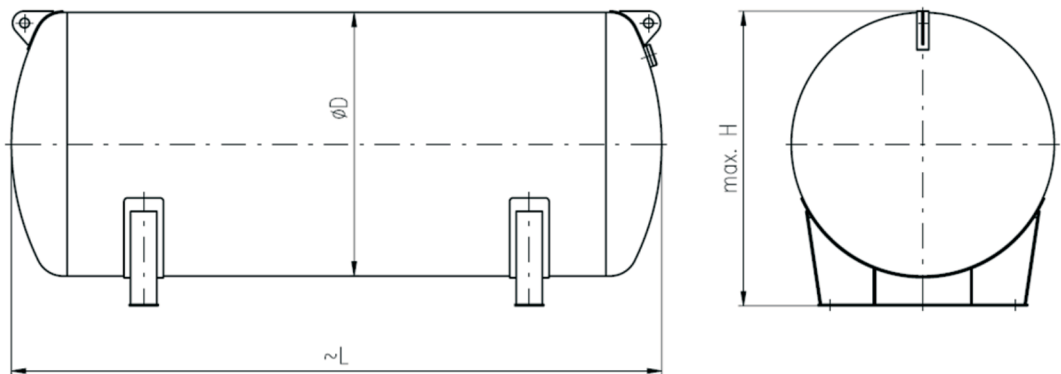
HTC SERIES

FULL EN 13458

Specifications

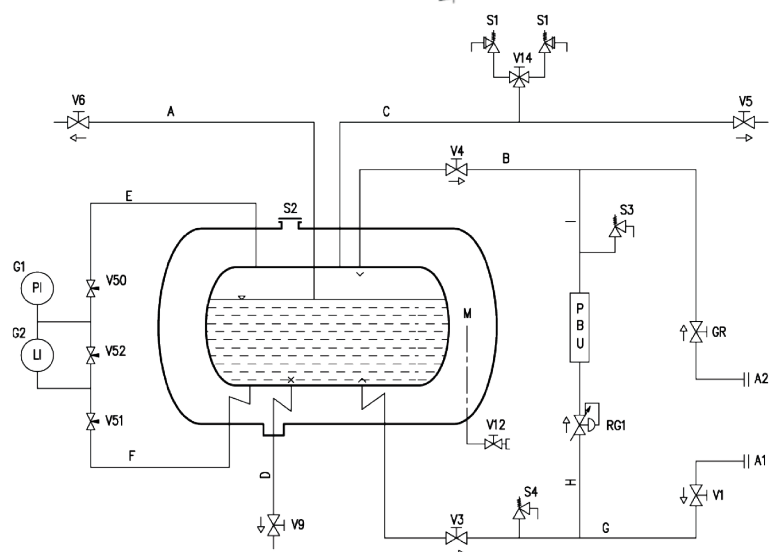
MODEL	Gross Volume	NET Volume 95% filling	Outer Diameter & Width	LCO ₂ Storage 95% filling	LN ₂ O Storage 95% filling	Empty Weight 25 bar	Height 95% filling	Length w/o plumbing	Length with plumbing
HTC	[Liter]	[Liter]	[mm]	[Kg]	[Kg]	[Kg]	[mm]	[mm]	[mm]
HTC 4	4 120	3 914	1 800	4 330	4 140	3 660	2 060	3 288	4 120
HTC 7	7 270	6 907	1 800	7 640	7 300	5 310	2 060	5 119	7 270
HTC 10	10 430	9 909	1 800	10 960	10 470	7 020	2 060	6 950	10 430
HTC 12	11 630	11 049	2 100	12 220	11 670	7 590	2 360	5 729	11 630
HTC 17	16 610	15 780	2 100	17 450	16 670	9 890	2 360	7 730	16 610
HTC 22	21 590	20 511	2 100	22 680	21 660	12 160	2 360	9 731	21 590
HTC 27	26 570	25 242	2 100	27 910	26 660	14 580	2 360	11 732	26 570
HTC 23	22 920	21 774	2 500	24 070	23 000	14 700	2 760	7 904	22 920
HTC 33	33 080	31 426	2 500	34 740	33 190	19 500	2 760	10 905	33 080
HTC 43	43 240	41 078	2 500	45 410	43 380	24 320	2 760	13 907	43 240
HTC 36	36 130	34 324	3 000	37 950	36 250	19 980	3 260	8 188	36 130
HTC 52	51 700	49 115	3 000	54 300	51 870	26 320	3 260	11 189	51 700
HTC 60	59 430	56 459	3 000	62 410	59 630	29 440	3 260	12 680	59 430
HTC 67	67 270	63 907	3 000	70 650	67 490	32 660	3 260	14 191	67 270

BASIC DIMENSIONS



Nomenclature *

- A1** Fill connection
- A2** Gas return connection
- GR** Gas return valve
- LI** Level indicator
- PBU** Pressure building vaporizer
- PI** Pressure indicator
- RG1** Pressure control valve
- S1** Safety valves, inner vessel
- S2** Vacuum safety valve
- S3** Thermal relief valve, PB circuit
- S4** Thermal relief valve
- V1** Bottom fill valve
- V3** Isolation valve, bottom filling
- V4** Valve, PB outlet
- V5** Valve, vapor vent, gas outlet
- V6** Valve, trycock
- V9** Valve, liquid outlet
- V12** Vacuum pump down
- V14** Valve, safety relief section
- V50** Valve, LI vapor phase
- V51** Valve, LI liquid phase
- V52** Valve, LI equalization



* standard model - not all options shown