

Miscellaneous Parts

Item Number	Description
10983258	Warranty Statement
B-701655-FLO	External Flow Control Valve (0-10 LPM)

Figure 1: HELiOS Standard Reservoir

Item Number	Description	Quantity	Bubble Seq No
B-701002-00	Shroud Screw—SS #1/4-8 x 1¼"	1	1
B-700859-00	Fill Connector Top Label	1	2
B-701528-00	Fill Connector Top Label (U.S. Only)	1	2
* See Note	Front Shroud Label, H36	1	3
* See Note	Front Shroud Label, H46	1	3
B-701527-00	Front Shroud Label (U.S. Only)	1	3
B-700858-00	Flow Restriction Label	1	4
B-701533-00	Flow Restriction Label (U.S. Only)	1	4
* See Note	Oxygen Diamond Label	1	5
B-701544-00	Upper Shroud	1	6
10024301-SV	Warming Coil Assembly (Includes Nuts and Ferrules)	1	7
B-701546-00	Condensate Collector	1	8
B-702083-SV	H36 SERVICE BOTTLE (TPED)	1	9
B-702082-SV	H46 SERVICE BOTTLE (TPED)	1	9
B-701606-SV	H36 SERVICE BOTTLE (DOMESTIC)	1	9
B-701659-SV	H46 SERVICE BOTTLE (DOMESTIC)	1	9

* Note: Reference Service Bulletin 21174579

HELiOS H36 & H46

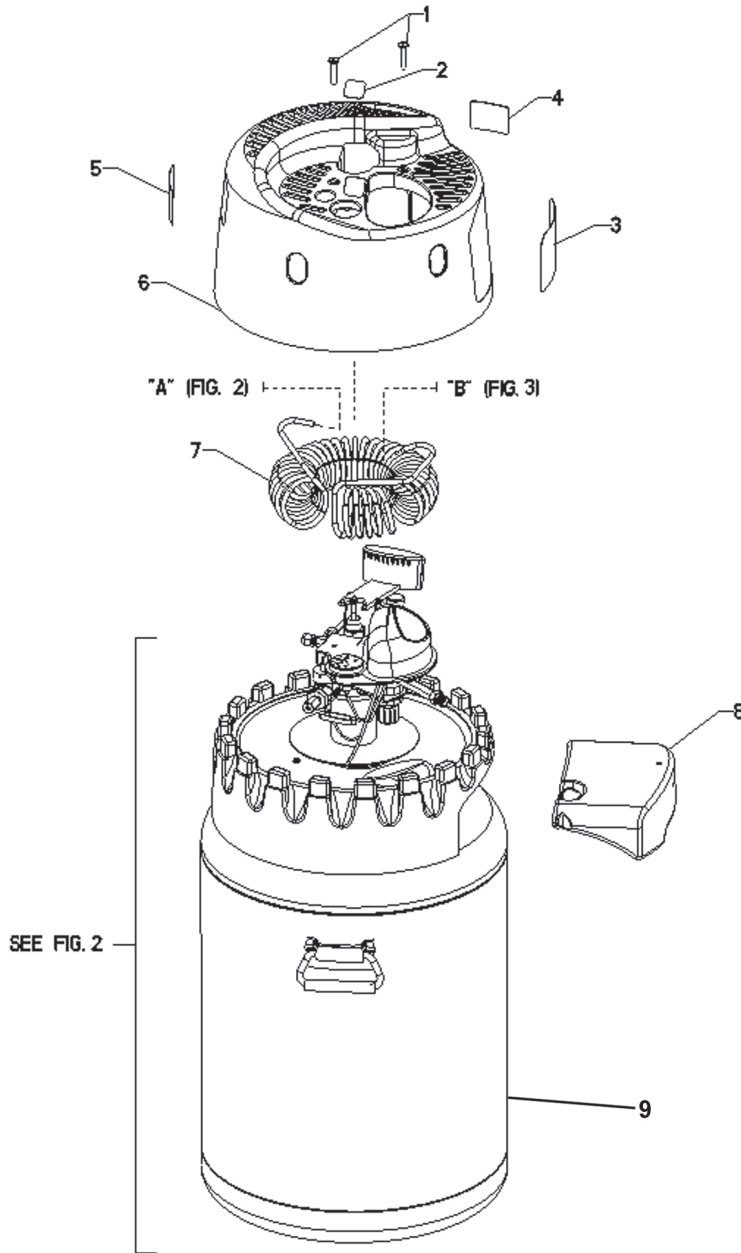


Figure 1: HELiOS Standard Reservoir

Figure 2: Configurable Parts

Item Number	Description	Quantity	Bubble Seq No
B-701635-00	Socket Head Cap Screw -- #10-24 x 3/8"	4	1
B-701695-SV	Black Flexible Tube -- 1/16" x 12"	1	2
B-775794-00	Press-On Hose Clamp	2	3
B-778167-00	Brass Barbed Fitting -- 1/16" x 10-32	1	4
B-776483-00	Secondary Relief Valve (70 PSI)	1	5
B-778157-00	Brass Barbed Fitting -- 1/8" x 10-32	1	6
B-701627-00	Relief/Economizer Valve	1	7
10023687-SV	Economizer Tube Assembly (With Nuts & Ferrules)	1	8
B-775265-00	Tube Nut -- 1/4"	1	9
B-775063-00	Ferrule -- 1/4"	1	10
10024679	Withdrawal Tee	1	11
B-776175-00	Spring	1	12
B-701590-00	Ferrule -- 1/8"	1	13
B-701739-00	O-Ring	1	14
B-775867-SV	Teflon Withdrawal Tube -- 30"	1	15
10023692	Manifold Extension Pipe	1	16
10025090	Umbrella Seal	1	17
20863012	Lower Shroud	1	18
Reference	Cryogenic Container	1	19
B-701699-00	Vent Valve Outlet Orifice	1	20
20580960	Vent Valve Assembly (Includes 20, 22-25)	1	21
15102229	Vent Valve Wrench Adaptor	1	22
B-702226-00	Vent Valve Set Screw — #8-32 Flat Point	1	23
20580870	Vent Valve Base	1	24
10024825	Screw Plug	1	25
15101621	Male QDV Assembly	1	26
B-702145-00	HELIOS Pipe Nipple	1	27

Figure 3: Bracket Assembly

Item Number	Description	Quantity	Bubble Seq No
B-701545-00	Release Button	1	1
B-701633-00	Release Lever	1	2
B-701524-00	Torx Head Screw -- #8-16 x 3/4"	2	3
B-777505-00	E-Ring	2	4
B-701634-00	Pivot Shaft	1	5
10024680	Tubing Connector	1	6
B-775063-00	Ferrule -- 1/4"	1	7
B-775265-00	Tube Nut -- 1/4"	1	8
10004925	Regulator Nut	1	9
B-701628-00	Regulator (Includes Item 9)	1	10
10023693	DISS Restricted Extension	1	11
B-702071-00	DISS Fitting	1	12
B-701583-SV	Black Flexible Tube -- 1/16" x 3"	2	13
B-775794-00	Press-On Hose Clamp	3	14
B-701632-00	Reservoir Bracket	1	15
B-701526-00	"T" Connector	1	16
B-701694-SV	Red Flexible Tube -- 1/16" x 15"	1	17
B-778167-00	Brass Barbed Fitting -- 1/16" x 10-32	1	18
B-701640-00	Pressure Gauge Grommet	1	19
B-702076-00	Pressure Gauge (0-100 PSI) (Includes Item 21)	1	20
B-778807-00	Pressure Gauge Lens	1	21
B-702207-00	Contents Indicator (Includes Items 23-24)	1	22
Reference	9-Volt Battery	1	23
B-701523-00	Battery Door	1	24
B-701635-00	Socket Head Cap Screw -- #10-24 x 3/8"	4	25

HELiOS H36 & H46

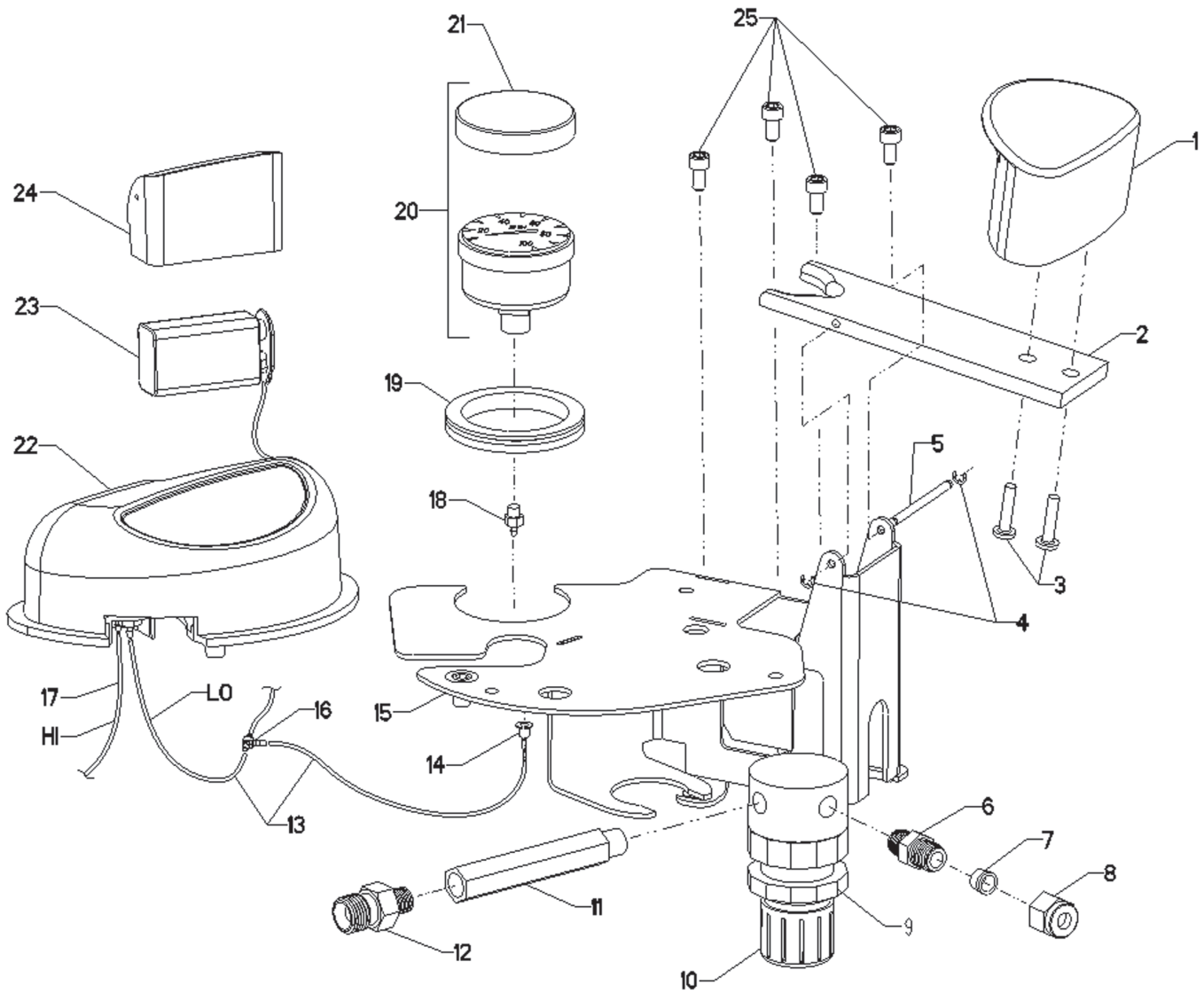


Figure 3: Bracket Assembly