

A bolt-together horizontal cooler designed for high-horsepower applications.

Model Z

Model Z Specifications

- Fan diameters from 48" to 204".
- Electric motor or hydraulic-drive configurations.
- Single- and multi-fan.
- Forced or induced draft.
- Typical compression HP: 500-10,000.



Model Z Advantages

- Increased intake area for more flexible siting.
- Suitable for installation on subcolumns or skids.
- Unique design fits most typical pipe-rack mounts.
- Bolt-together design allows for optional field assembly.
- Design allows increased fan deck clearance for easier drive maintenance.
- **New Stice Drive – standard:** Advanced drive system for improved cooler performance and reduced fan and drive component wear. *Exclusive to Chart's Air-X-Changers!*

*180-3Z with advanced Stice Drives
(Optional subcolumns not shown)*



Optional over-the-end warm air recirculation system



Optional automated louvers



Optional low noise emission fan



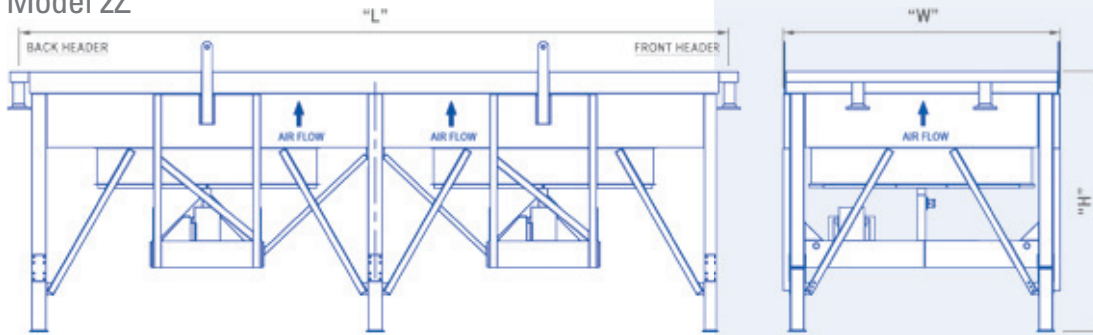
A Chart Industries Company

Insight onsite.™

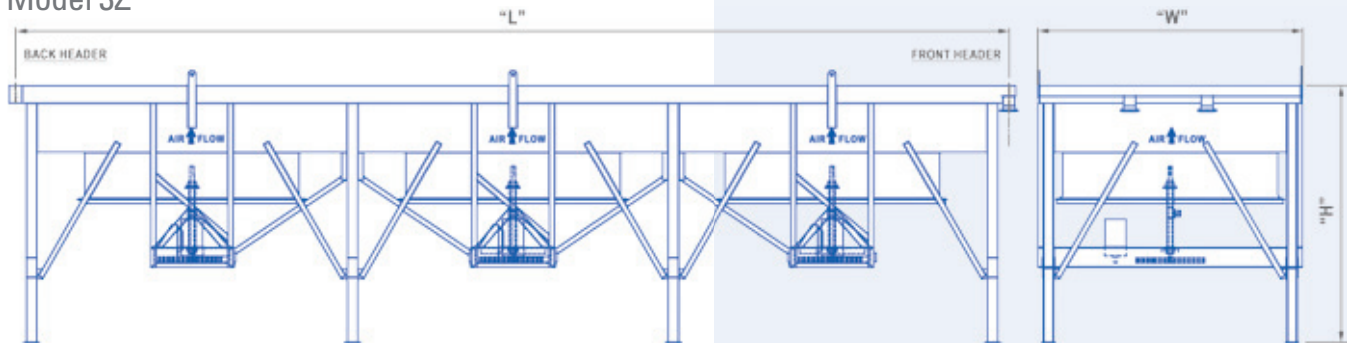
Model Z



Model 2Z



Model 3Z



Optional Features

- Cooler finish per customer specifications, including tint-to-match paint and galvanizing.
- Multi-speed drives or auto-variable fans can provide superior degree of temperature control.
- Column extensions available to accommodate any headroom clearance.
- Framed drive-mount system, allowing side-access for easier electric motor maintenance and improved structural integrity.
- Louvers (manual or automated) downstream of the cooling sections to control air flow for temperature control.
- Auxiliary louvers (manual or automated) located upstream of the cooling sections to provide additional protection in cold weather climates.
- Warm air recirculation systems available over the end or side of the unit to better control process outlet temperature in cold weather climates.
- Hailguard over cooling section coils, independent or integral with shutters, to protect cooling sections.
- Low noise emission fans.
- Bug screens / lint screens over air intake to minimize external fouling of cooling sections.

Model 2Z			
Fan Diameter	L	W	H
60	160-196	72-96	129
72	184-244	84-108	129
84	219-315	96-132	129
96	268-316	108-132	129
108	316-364	120-144	129
120	364-412	132-156	129
132	388-460	144-168	129
144	436-508	156-180	129
156	484-556	168-192	129
168	532-604	180-204	129
180	580-652	192-216	129
192	628-700	204-228	129
204	676-724	216-240	129

Model 3Z			
Fan Diameter	L	W	H
72	276-364	84-108	129
84	340-436	96-120	129
96	412-484	108-132	129
108	460-556	120-144	129
120	532-628	132-156	129
132	604-700	144-168	129
144	676-724	156-180	129
156	724	168-192	129
168	724	180-204	129
180	724	192-216	129
192	724	204-228	129
204	724	216-240	129

L = Length. W = Width. H = Height.
 Dimensions shown in inches. For estimation only; dimensions may vary.



Air-X-Changers
Hammco