

Vertical discharge, induced-draft,
engine- or electric motor-driven cooler.

Model VI

Model VI Specifications

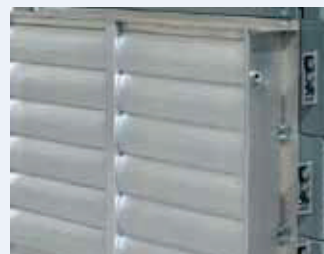
- Fan diameters from 36" to 168".
- Engine-drive and electric motor-drive configurations.
- Typical compression HP: 100-600.

Model VI Advantages

- Sections are easily accessible in applications requiring frequent section change-out.
- Core guards protect cooling sections when louvers are not desired.
- Combines engine and compressor cooling service in a single structure.



54-VI with standard core guard and optional automated main louvers



Optional automated main louver



Cooling section core guard (standard)



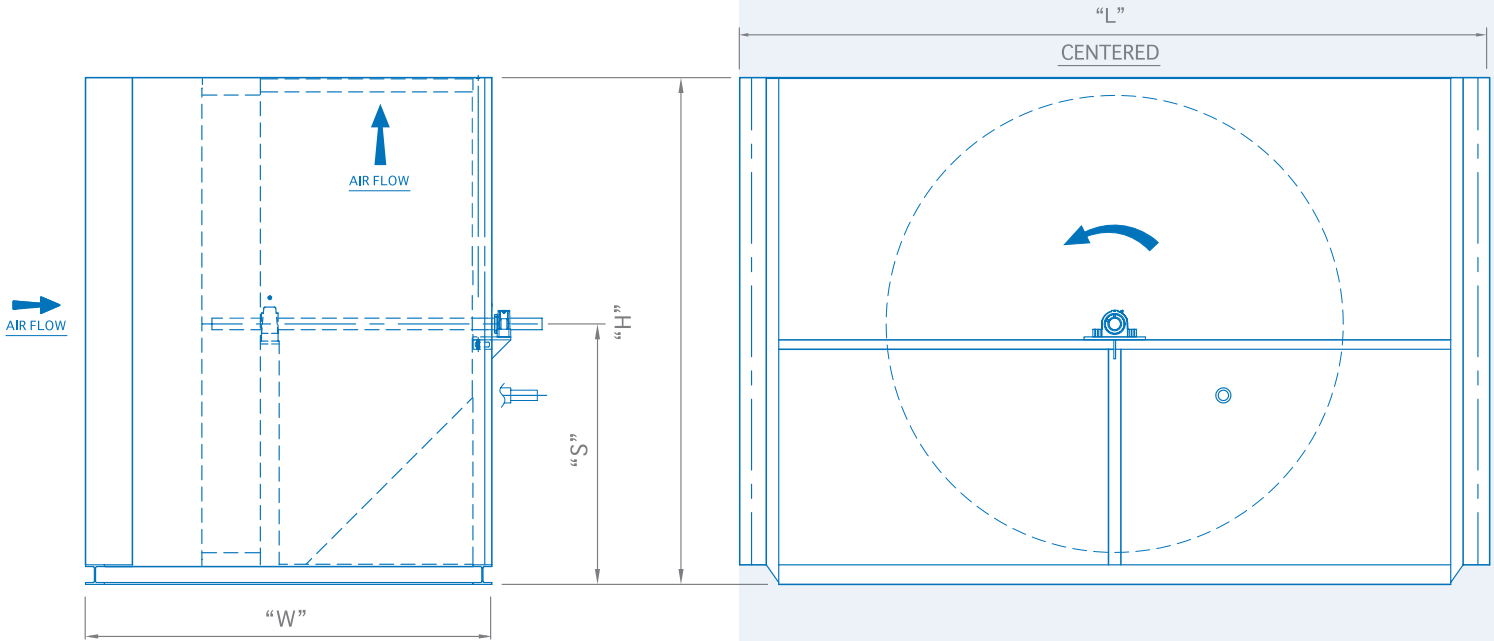
Optional electric drive



A Chart Industries Company

Insight onsite.™

Model VI



Optional Features

- Cooler finish per customer specifications, including tint-to-match paint and galvanizing.
- Louvers (manual or automated) upstream of the cooling sections to control air flow for temperature control.
- Automated louver control operated typically with pneumatic actuators.
- Hailguard over air discharge duct.
- Low noise emission fans.
- Bug screens / lint screens over air intake to minimize external fouling of cooling sections.

Model VI				
Fan Diameter	L	W	H	S
36	52	54	43	23
42	52	58	56	30
48	64	60	64	34
54	64	68	82	43
60	64-88	70	77-103	40-53
72	88	78	91-103	47-53
81	88-100	82-90	103-114	53-59
84	100-112	82-94	106-121	53-62
93	136	82-94	107-115	55-59
96	142-160	86-96	107-133	55-70
108	160-184	104	121-133	64-68

L = Base beam length. W = Base beam width. H = Height. S = Grade to c/l shaft.
Dimensions shown in inches. For estimation only; dimensions may vary.

- Fan diameters available up to 168" on request.



Air-X-Changers
Hammco