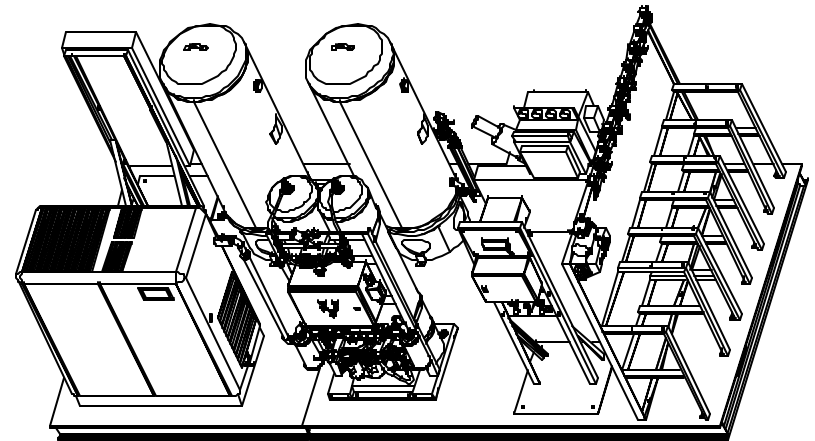
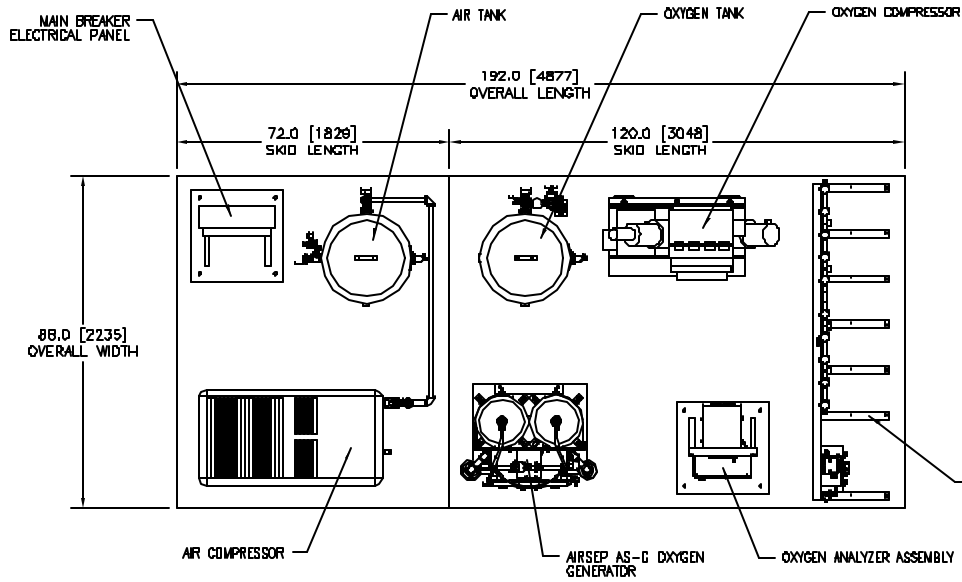
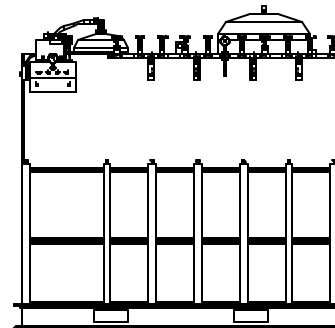
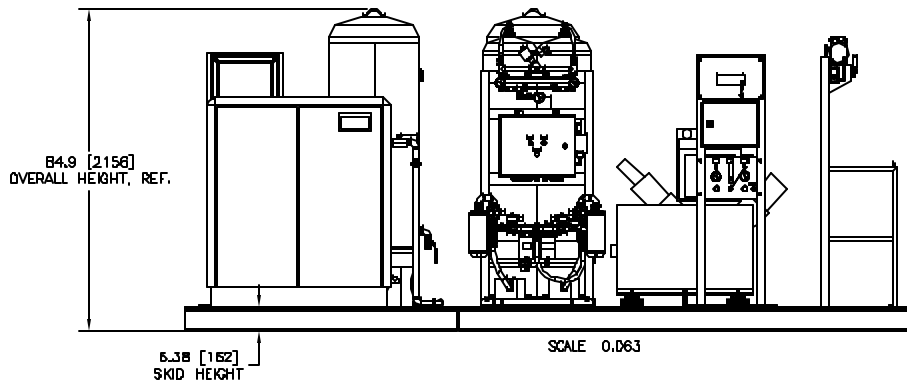


NOTES:

- 1.) DIMENSIONS SHOWN ARE IN INCHES [MILLIMETERS].
- 2.) DRAWING SHOWS MAIN COMPONENTS ONLY, DRAWING TO BE USED TO SHOW SYSTEM LAYOUT ONLY.
- 3.) TOTAL WEIGHT OF SYSTEM WILL VARY BASED ON CUSTOMER'S SITE CONDITIONS AND COMPONENT SPECIFICATIONS. TOTAL WEIGHT OF SYSTEM MAY VARY ANYWHERE BETWEEN 8,000 - 11,000 LBS [3,629 - 3,856 Kg]



SCALE 0.663



DRAWING SUBJECT TO CHANGE WITHOUT NOTICE

REV	REVISION	ECN #	BY	DATE	APPD

APPROVAL	DATE		ASG225-326NCR TYPICAL PLANT LAYOUT
REV	DATE		N/A ASG225-326NCR
SCALE	DATE		1:600 SHEET 1 OF 1
SEE BOM	DATE		

AIRSEP ASG225-320NCR(M) CYLINDER FILLING PLANT TYPICAL PLANT LAYOUT

