



# ***Schematics Brochure***

## ***CryoDoser Flex™ Liquid Nitrogen Dosing System***



**Designed and Built by:**

**Chart Inc.**

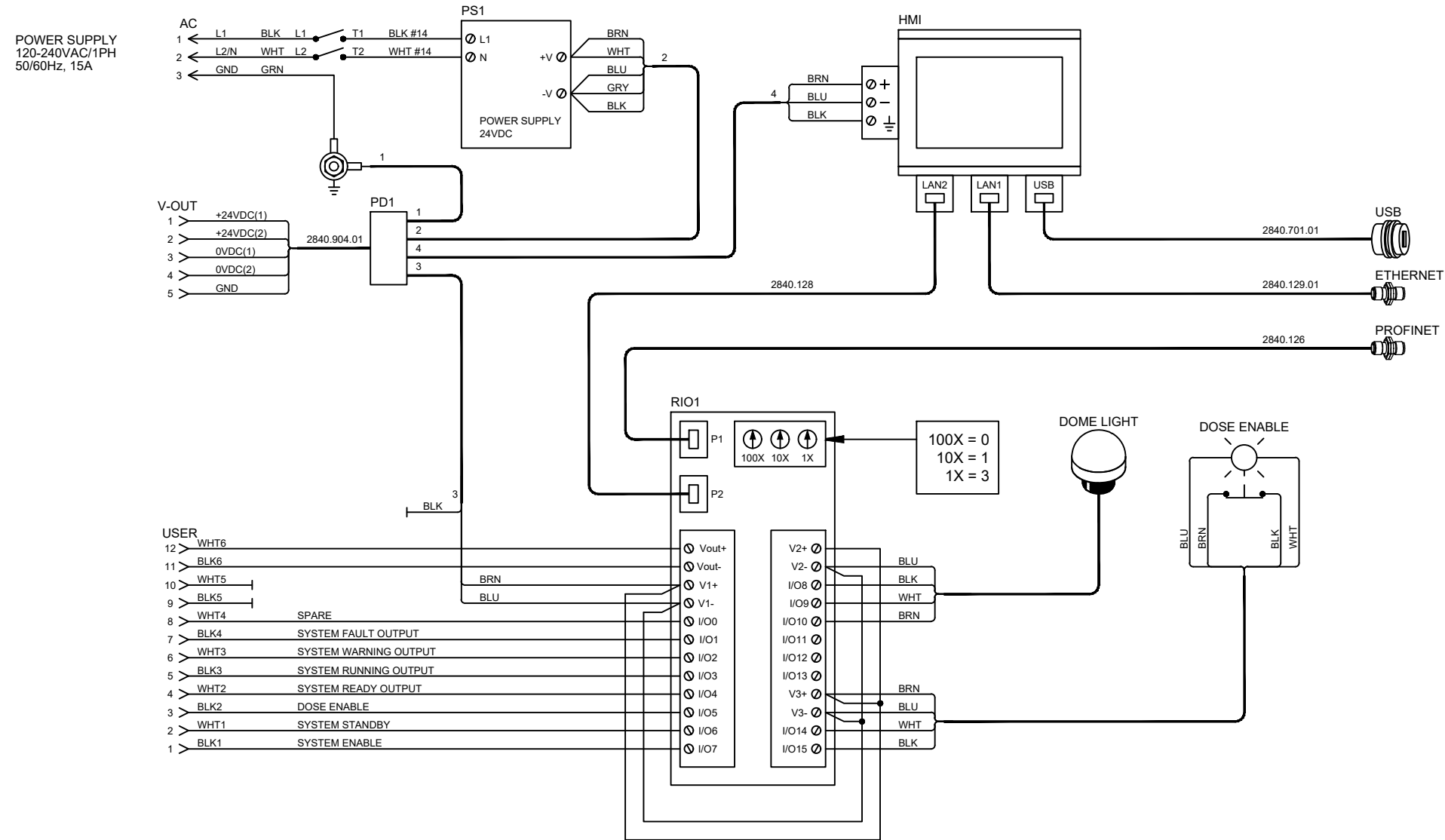
**46441 Landing Parkway  
Fremont, CA 94538 USA  
(800) 371-3303**



# Contents

---

- Pack Premier Control Box Schematic.....3
- Craft Custom Control Box Schematic.....4
- Interface Box Schematic.....5
- Signal Interface Schematic.....6



- USER
- 12 WHT6
  - 11 BLK6
  - 10 WHT5
  - 9 BLK5
  - 8 WHT4 SPARE
  - 7 BLK4 SYSTEM FAULT OUTPUT
  - 6 WHT3 SYSTEM WARNING OUTPUT
  - 5 BLK3 SYSTEM RUNNING OUTPUT
  - 4 WHT2 SYSTEM READY OUTPUT
  - 3 BLK2 DOSE ENABLE
  - 2 WHT1 SYSTEM STANDBY
  - 1 BLK1 SYSTEM ENABLE

NOTES:

REV	ECR	BY	DATE

REV	ECR	BY	DATE

THE MATERIALS AND INFORMATION, INCLUDING THE PRINCIPLES OF DESIGN PRESENTED BY THIS PRINT, IS EXCLUSIVE PROPERTY OF CHART INC., AND IS CONFIDENTIAL INFORMATION. ACCORDINGLY, THIS INFORMATION IS SUBMITTED TO YOU WITH THE AGREEMENT THAT IT IS NOT TO BE REPRODUCED, COPIED, OR LOANED, IN PART OR IN WHOLE, NOR IS THE INFORMATION TO BE RELAYED TO ANY COMPANY. ACCEPTANCE OF THIS DRAWING WILL BE CONSTRUED AS AN AGREEMENT TO THE ABOVE.

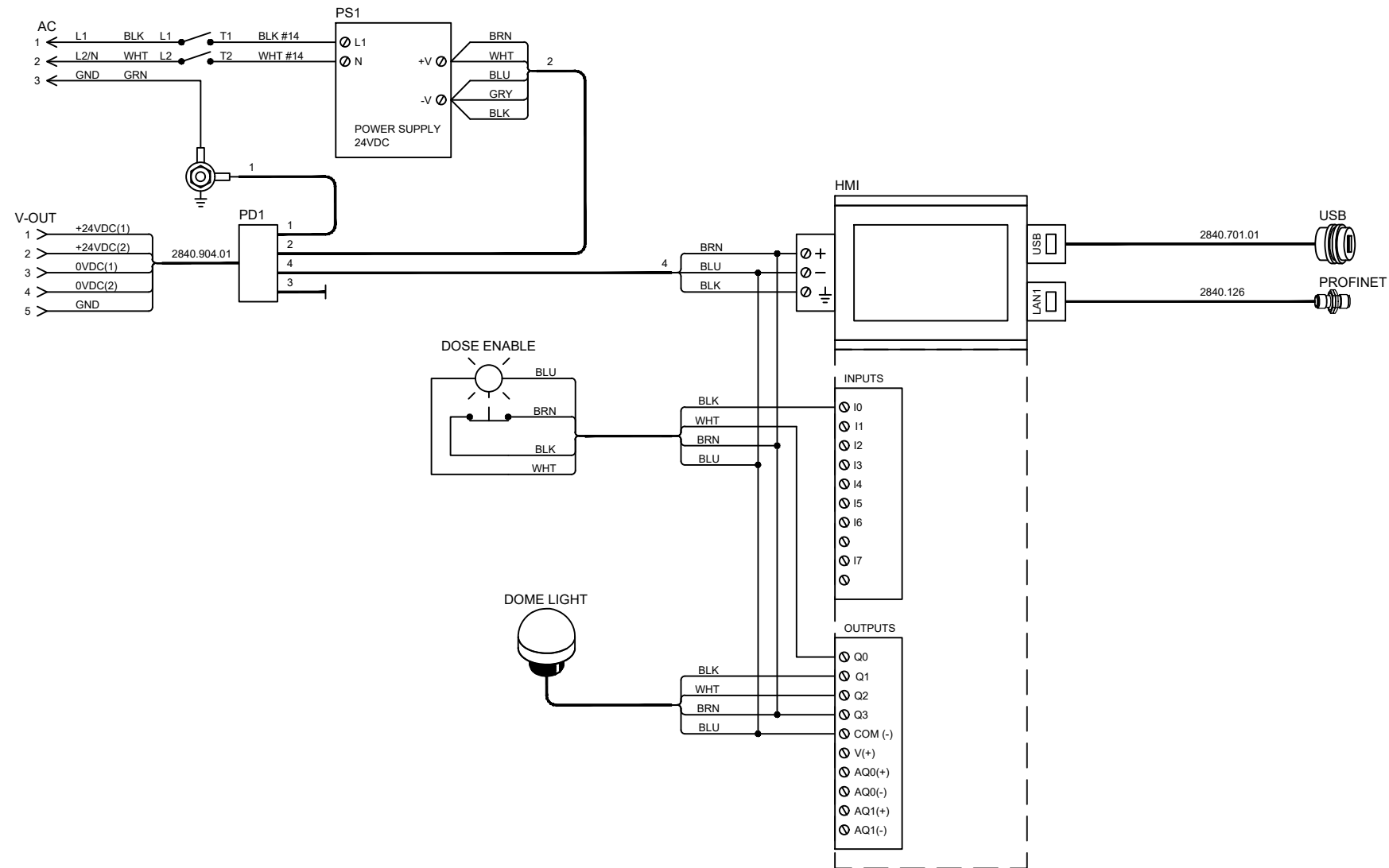
DRAWN BY: P.RYBAK DATE: 5.25.2017  
 PROJ. ENGINEER: DATE:  
 SHOP RELEASE: DATE:



TITLE/PROJECT: CONTROL BOX SCHEMATIC CD-FLEX PACK PREMIER  
 ORIGINAL ECR:

DRAWING NO.: B-35063.004  
 REV: B SHEET: 1 of 1

POWER SUPPLY  
120-240VAC/1PH  
50/60Hz, 15A



NOTES:

REV	ECR	BY	DATE

THE MATERIALS AND INFORMATION, INCLUDING THE PRINCIPLES OF DESIGN PRESENTED BY THIS PRINT, IS EXCLUSIVE PROPERTY OF CHART INC., AND IS CONFIDENTIAL INFORMATION. ACCORDINGLY, THIS INFORMATION IS SUBMITTED TO YOU WITH THE AGREEMENT THAT IT IS NOT TO BE REPRODUCED, COPIED, OR LOANED, IN PART OR IN WHOLE, NOR IS THE INFORMATION TO BE RELAYED TO ANY COMPANY. ACCEPTANCE OF THIS DRAWING WILL BE CONSTRUED AS AN AGREEMENT TO THE ABOVE.

DRAWN BY: P.RYBAK DATE: 5.25.2017  
 PROJ. ENGINEER: DATE:  
 SHOP RELEASE: DATE:



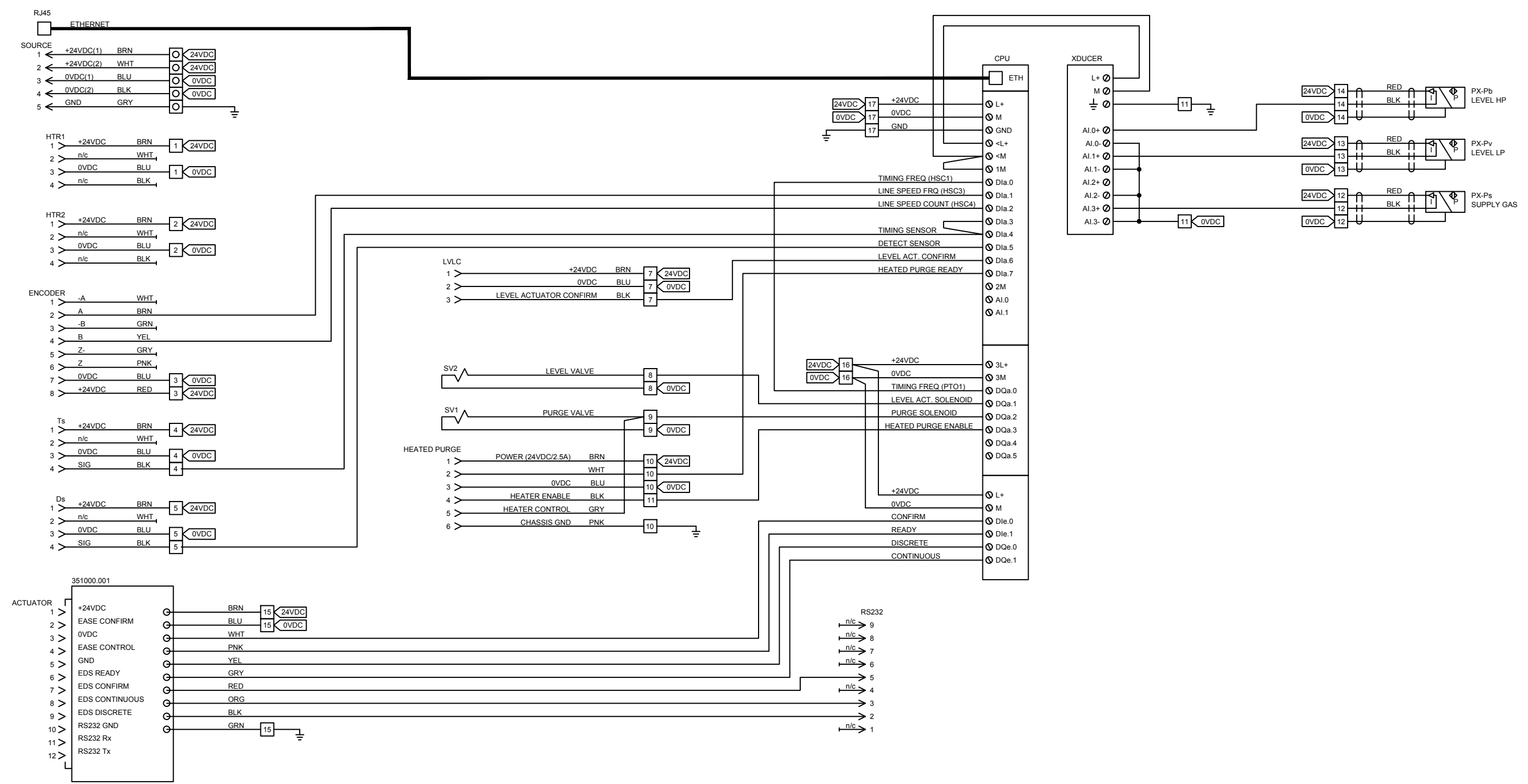
CHART INDUSTRIES, INC.


TITLE/PROJECT:  
**CONTROL BOX SCHEMATIC  
 CD-FLEX CRAFT CUSTOM**

ORIGINAL ECR:

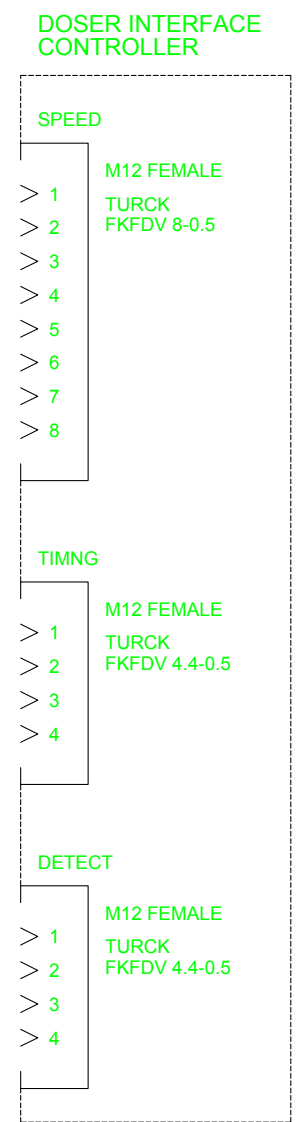
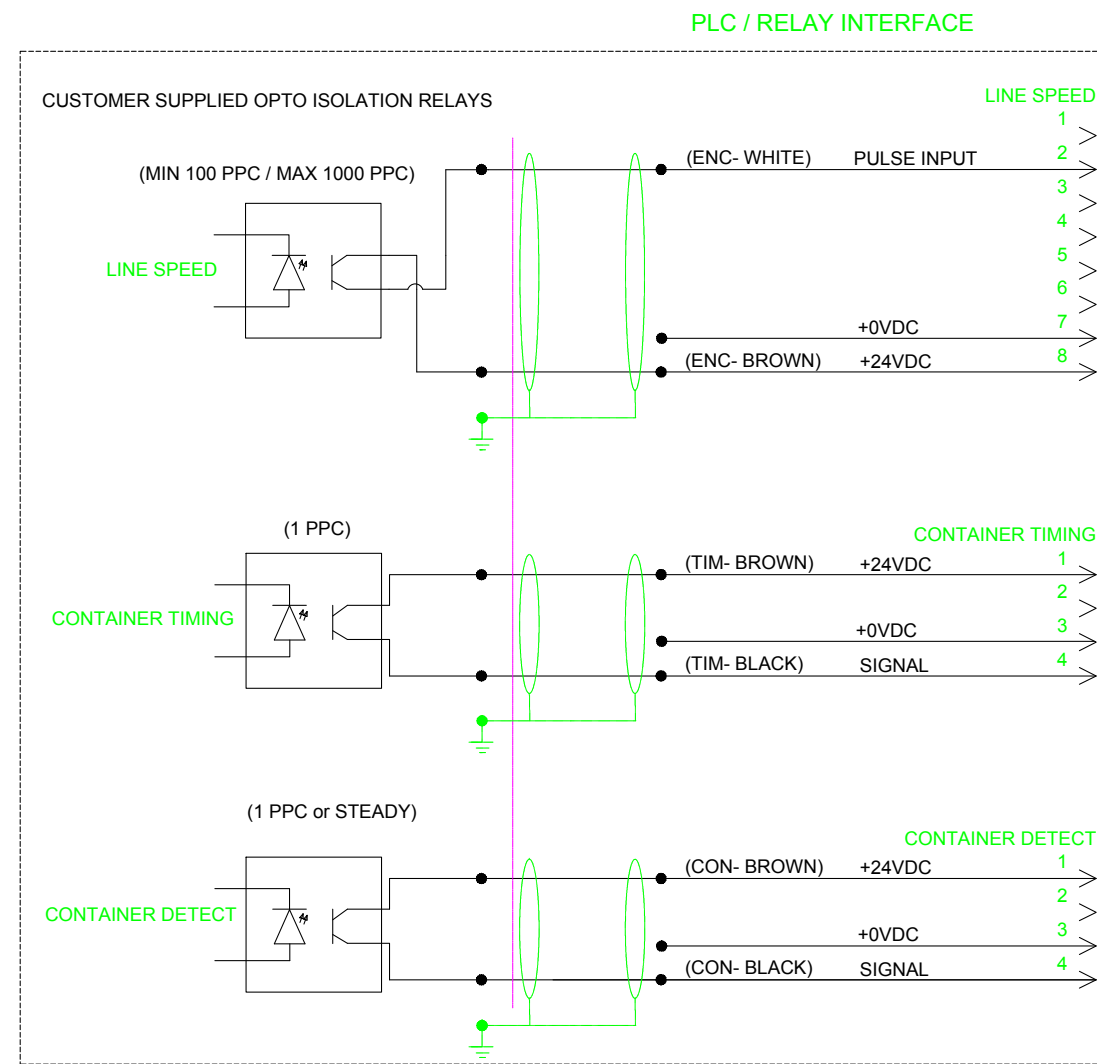
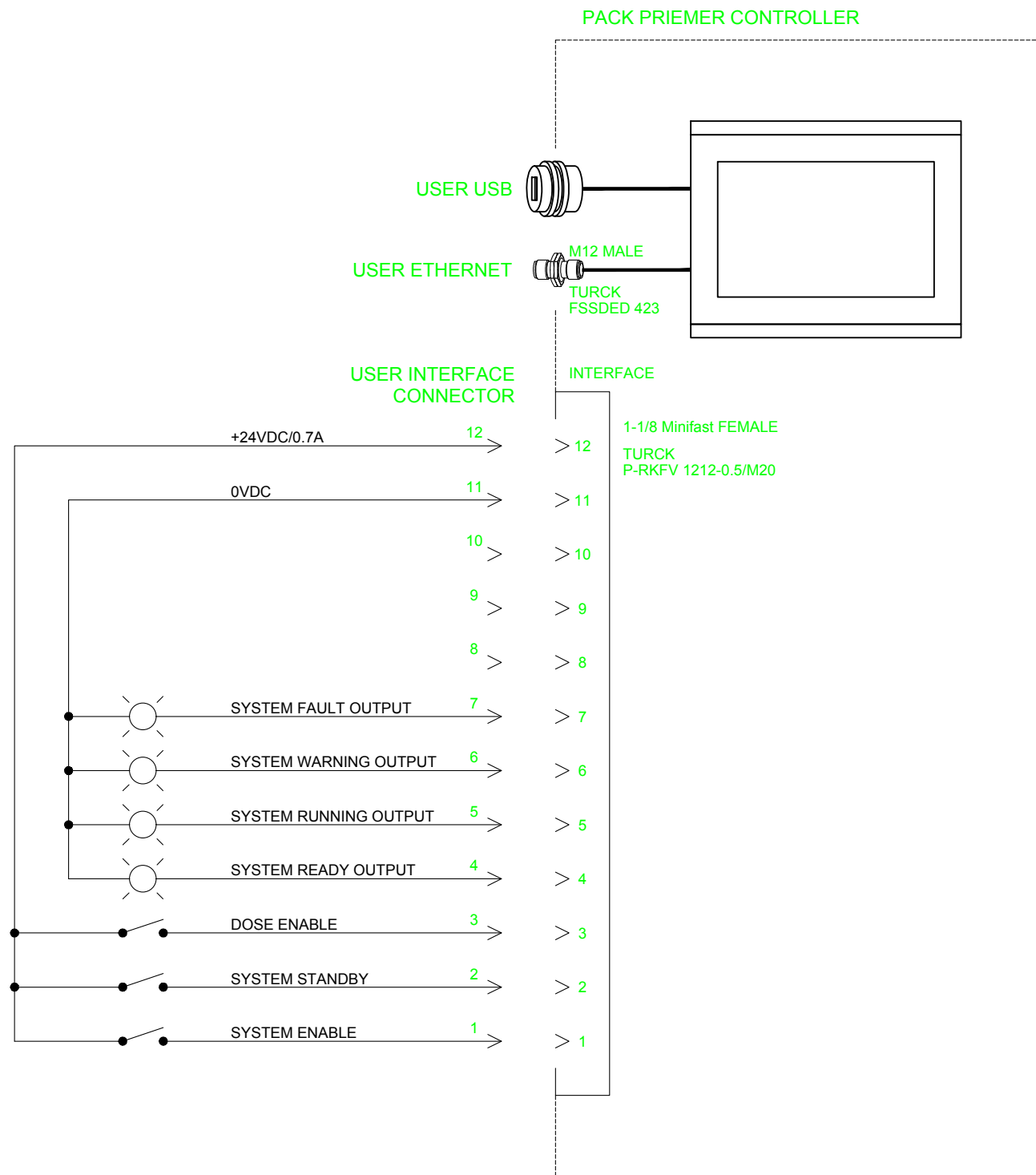
DRAWING NO.:  
**B-35065.004**

REV: **C** SHEET: **1 of 1**



A			INITIAL RELEASE	PR	5.25.17	APP'VD	DATE	ORIGINAL ECR / ER
REV	APPV	ECR	REVISION DESCRIPTION	BY	DATE	DRAWN BY P.RYBAK	5.25.2017	 CHART INDUSTRIES, INC. FREMONT, CA 94538
						CHECKED BY		
THE MATERIALS AND INFORMATION, INCLUDING THE PRINCIPLES OF DESIGN PRESENTED BY THIS PRINT, IS THE EXCLUSIVE PROPERTY OF CHART INC., AND IS CONFIDENTIAL INFORMATION. ACCORDINGLY, THIS INFORMATION IS SUBMITTED TO YOU WITH THE AGREEMENT THAT IT IS NOT TO BE REPRODUCED, COPIED, OR LOANED, IN PART OR IN WHOLE, NOR IS THE INFORMATION TO BE RELAYED TO ANY COMPANY. ACCEPTANCE OF THIS DRAWING WILL BE CONSTRUED AS AN AGREEMENT TO THE ABOVE.				MAT'L  FINISH P/N <b>35066</b>		PROJ ENGR P.RYBAK	5.25.2017	TITLE: <b>INTERFACE BOX SCHEMATIC</b> PROJECT: <b>CRAFT CUSTOM CNTRLR</b>
						UNLESS OTHERWISE SPECIFIED DIMENSIONS ARE IN INCHES. TOLERANCES: FRACTIONS ± 1/16" ANGLES ± 1° 1 PLACE DECIMAL ± .030 2 PLACE DECIMAL ± .015 3 PLACE DECIMAL ± .005		DRAWING NO. <b>B-35066.004</b>
# DESIGNATES A NOTE REFERENCE (XX) DESIGNATES INSPECTION DIM.						SCALE: <b>none</b>	DO NOT SCALE DRAWING	SHEET: <b>1 of 1</b>

# SIGNAL INTERFACE USING CUSTOMERS PLC SIGNALS



REVISION NOTES	REVISION DATE	CUSTOMER	KRONES
OPTO ISOLATION RELAYS ADDED	15TH JULY 2019	JOB NUMBER	GENERIC
		DATE	JULY 2019
		DRAWING NO.	SIGNAL INTERFACE - USING CUSTOMER PROVIDED SIGNALS

CHART INDUSTRIES LIMITED  
4 Kempton Road  
Pershore, Worcester  
WR10 2TA  
England  
+44 1386 556622