

GOX VAPORIZER SWITCHING SKID

FOR WATER AND WASTE WATER TREATMENT PLANTS



The GOX Vaporizer Switching Skid is specifically designed for Water Treatment Plant (WTP) and Waste Water Treatment Plant (WWTP) applications. The design and components of the skid have been specifically designed around typical WTP specifications.

The skid consists of the following:

- (2) Rotork IQT Electric Actuators w/ OPEN-CLOSE limit switches
- (1) Rotork IQT Electric Actuator w/ battery backup
- (2) Barksdale Temperature Switches
- (1) Rosemount Temperature Transmitter
- (2) ASME Rated Relief Valves
- (1) Remote IO Panel

The manifold is mounted to a painted carbon steel frame that is coated to prevent rusting. The overall skid dimension is 132"W x 65"D x 39"H.

PRODUCT HIGHLIGHTS

- Pre-wired and skidded – minimizing field installation
- Designed around typical WTP specifications
- 304/L or 316/L piping
- 316/L valving
- OPTION for 3rd vaporizer spool

COMMON INSTALLATIONS

- Water Treatment Ozone Systems
- Waste Water Oxygen Dissolution Systems
- Atmospheric Gas Vaporization Systems

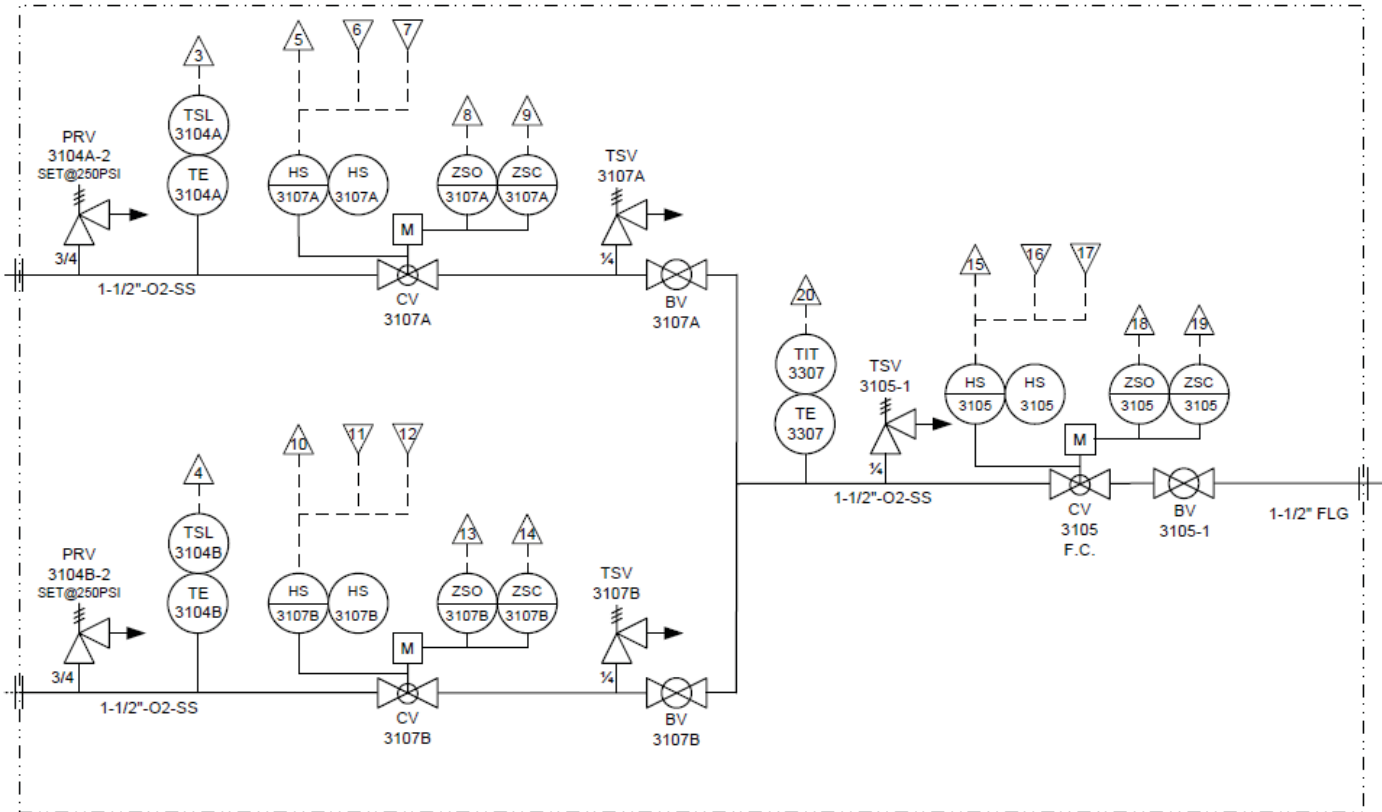


Innovation. Experience. Performance.™

GOX VAPORIZER SWITCHING SKID

FOR WATER AND WASTE WATER TREATMENT PLANTS

GOX VAPORIZER SWITCHING SKID SCHEMATIC



GOX VAPORIZER SWITCHING MANIFOLD STAND (20949300)		
TAG	TAG DESCRIPTION	CHART NO
PRV-3104A-2	PRESSURE RELIEF VALVE	14834031
PRV-3104B-2	PRESSURE RELIEF VALVE	14834031
TSV-3107A	RELIEF VALVE	20544902
TSV-3107B	RELIEF VALVE	20544902
TSV-3105-1	RELIEF VALVE	20544902
TSV-3105-2	RELIEF VALVE	20544902
BV-3107A	TOP ISOLATION BALL VALVE	20548302
BV-3107B	BOTTOM ISOLATION BALL VALVE	20548302
BV-3105-1	OUTSIDE ISOLATION BALL VALVE	20548302
CV-3107A	VAPORIZER #1 CONTROL VALVE	20952715
CV-3107B	VAPORIZER #2 CONTROL VALVE	20952715
CV-3105	MAIN CONTROL VALVE	20952730
TSL-3104A	LOW TEMP SWITCH VAP #1	14215168
TSL-3104B	LOW TEMP SWITCH VAP #2	14215168
TIT-3307	TEMPERATURE INDICATOR TRANSMITTER	14353157