



Heated Purge Doser Option Defrost / Start-Up Accelerator

NitroFresh® Dosing Systems

The Heated Purge Option is an excellent addition to any of our NitroFresh® dosing systems. Because LN₂ is extremely cold, moisture from the liquid and the external elements will migrate into the dosing system and cause freeze-ups where the process operates out of spec or totally shuts down. With the Heated Purge Option, the dry nitrogen gas supply can easily be increased from ambient temperature to accelerate the thawing and drying process. Depending on the freeze-up condition, the Heated Purge Option can reduce thaw/drying time by as much as four times. For start-up preparation, the initial purging can be reduced by as much as a factor of three.

The Heated Purge Option can get you back online faster and dryer each time.

Features

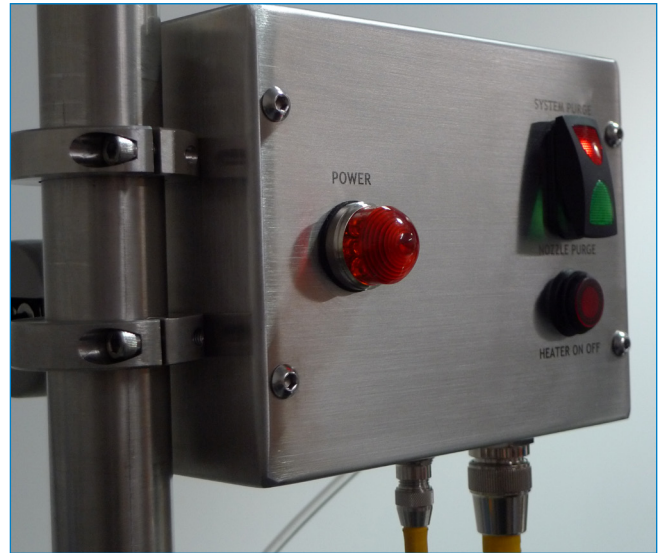
- Bolt on electrical control box adapts to any NitroFresh® doser stand
- "Power on" light and lighted switches indicate purging cycle
- Standard 110V x 4 Amp connection (440 Watts)

How it Works

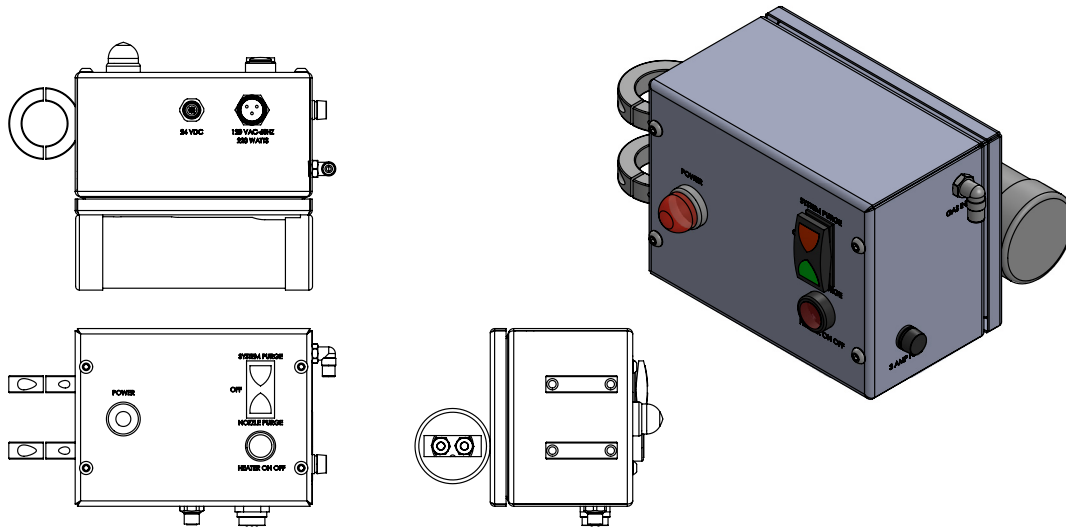
Dry nitrogen gas is supplied to the heated purge unit from the same source supplying the doser. When the heated purge cycle is activated, two solenoids open allowing gas to enter the heater housing, where it is elevated to 124°F. The heated gas is piped to the doser body (system) and the doser head (nozzle) for rapid drying. The heated purge cycle is manually terminated.

Key Benefits

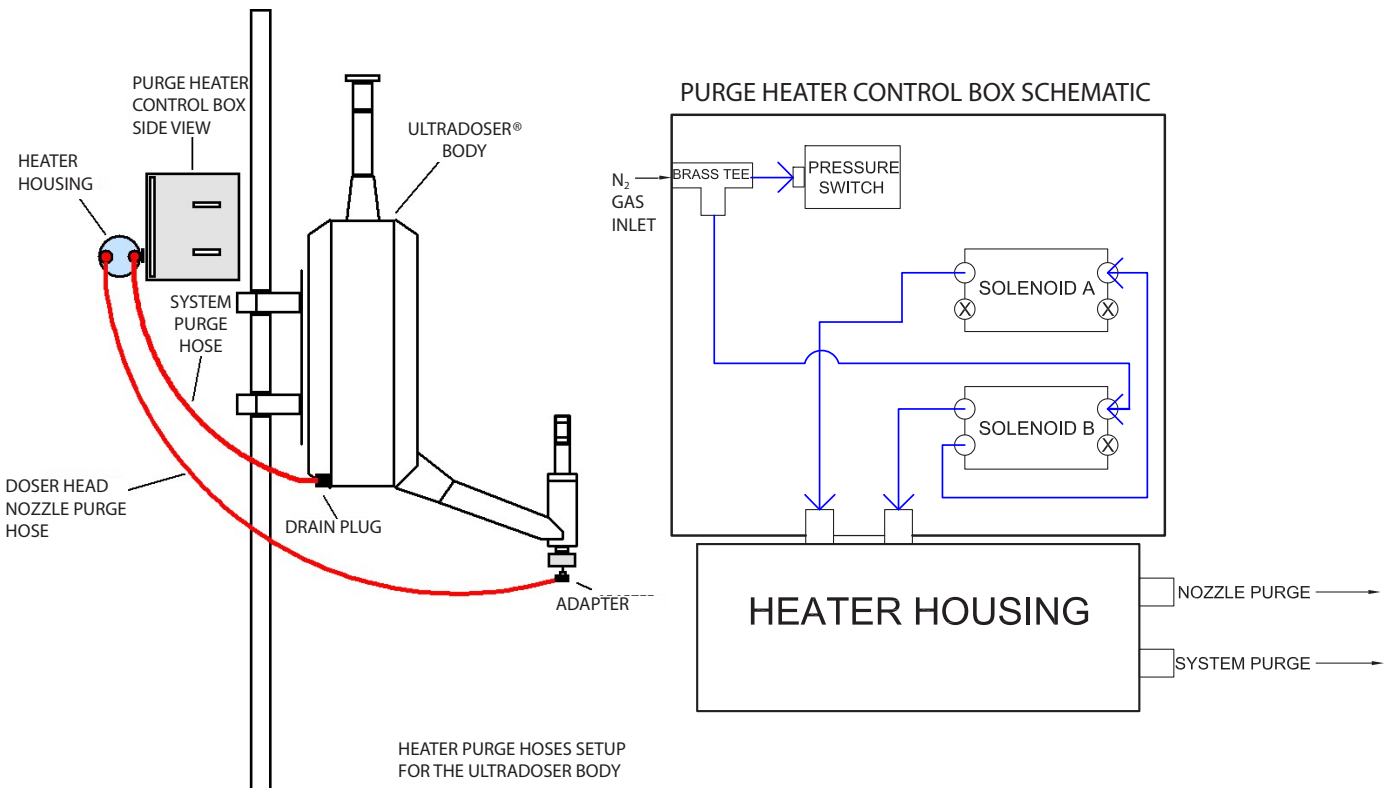
- Heated purge overcomes cold gas issues due to ambient conditions
- Purge time reduced from 8 hours to between 1.5 and 2 hours
- Preparation time at start-up reduced from 4 to 6 hours to between 1.5 and 2 hours
- Reduced risk of residual moisture relocating in the system
- Gas savings from less gas used during shorter purge times



Heated Purge Option Technical Specifications



Heated Purge Doser Option



Your Local Representative



Chart Inc.
 46441 Landing Parkway • Fremont, CA 94538
 Phone +1 800.371.3303 • Fax +1 408.577.1567 • Service +1 408.371.4932
 www.chartdosers.com
 © 2016 Chart Inc. PN 20949427